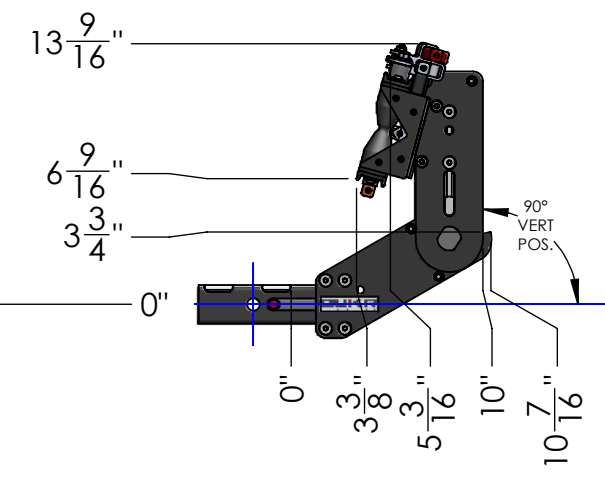
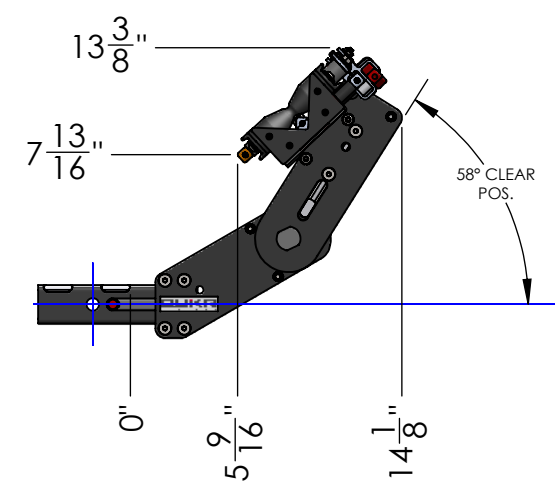
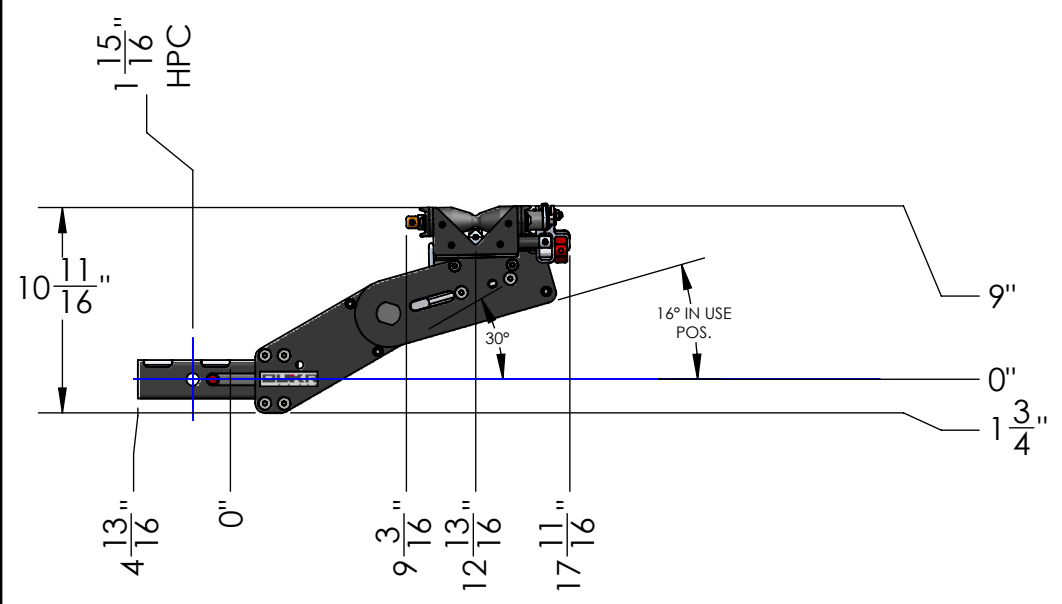
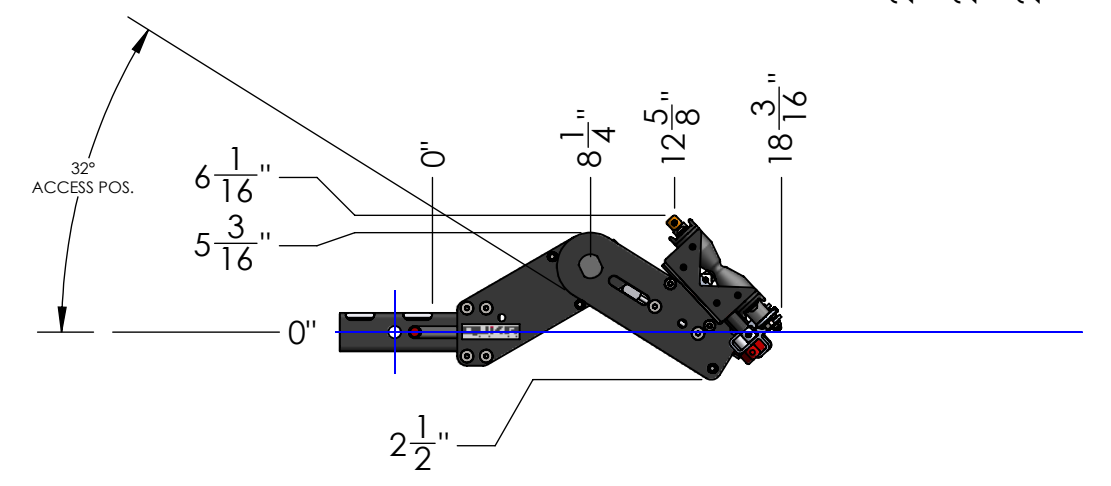
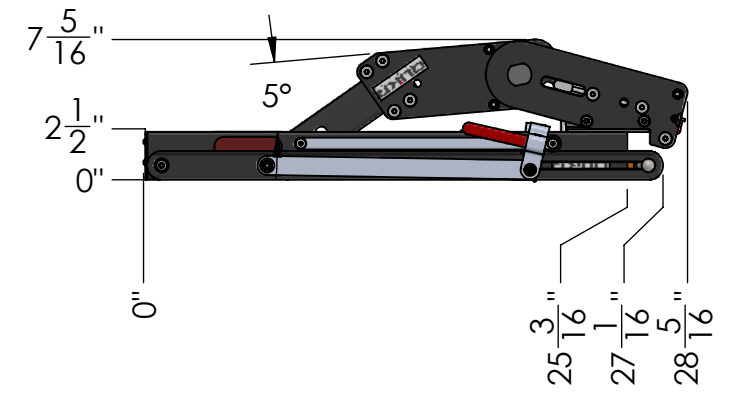
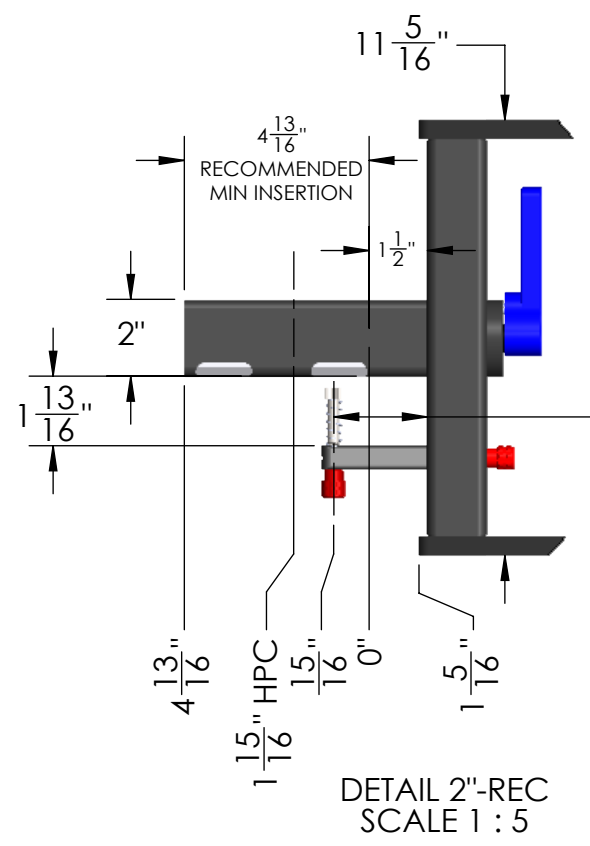
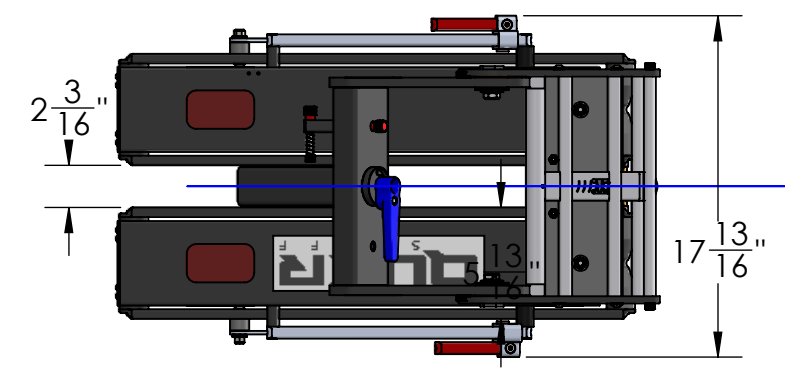
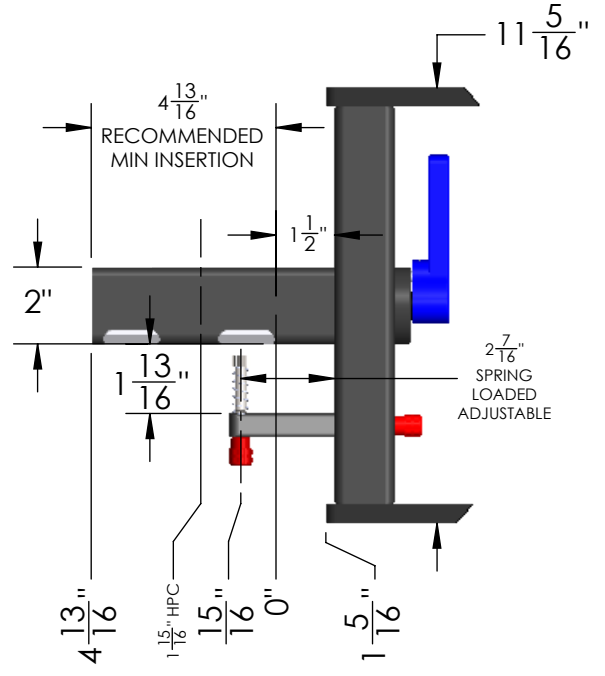
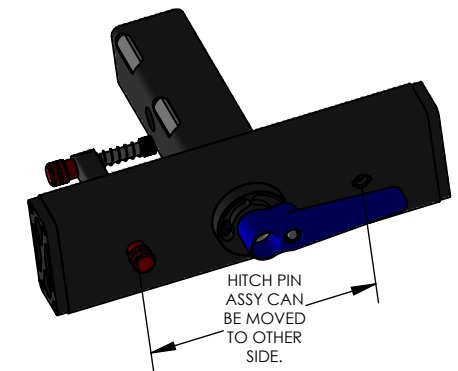
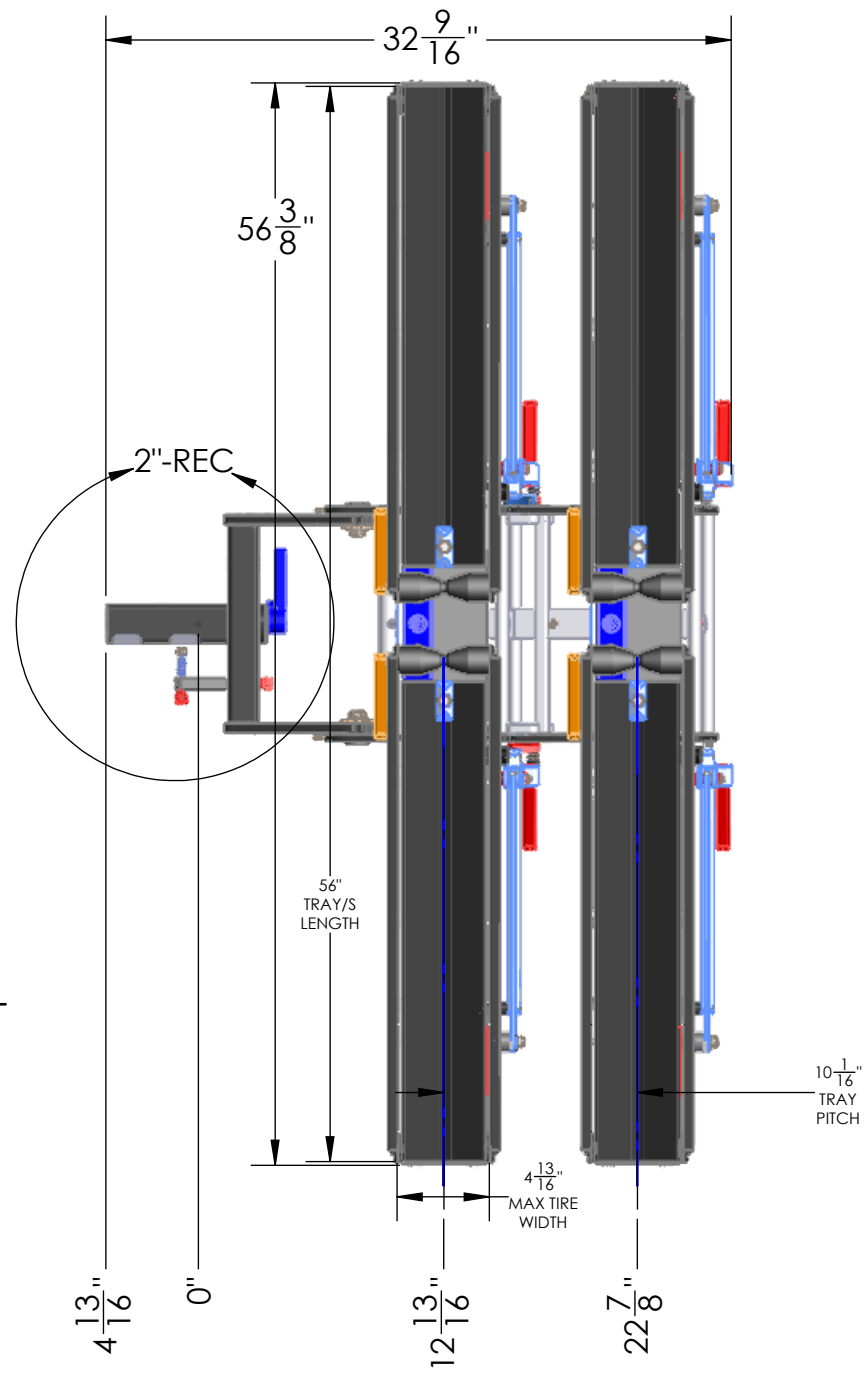


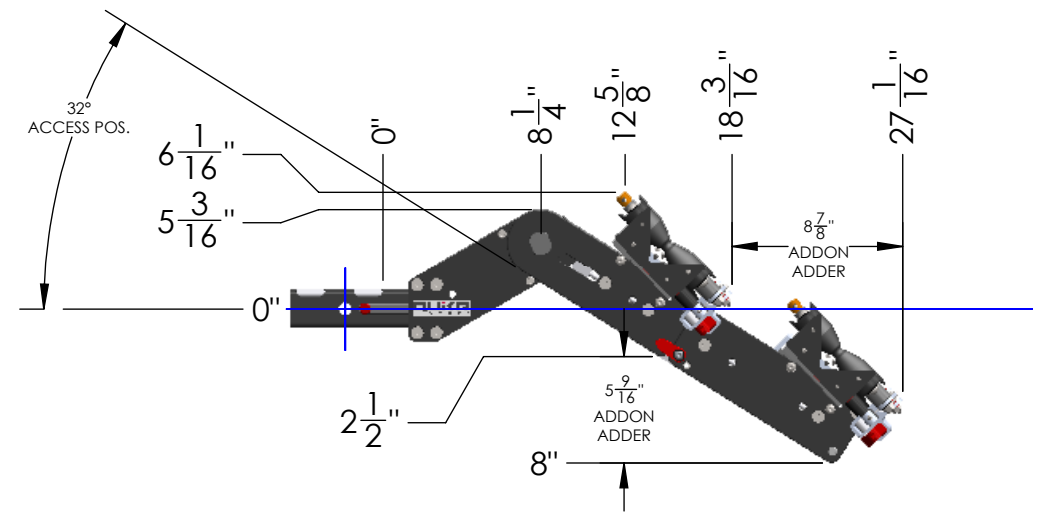
MACH2 2" BASE ASSEMBLY

| | |
|-----------------|----------------|
| WEIGHT | 32 LBS |
| BOX DIMENSIONS | 31" x 19" x 9" |
| SHIPPING WEIGHT | 38 LBS |

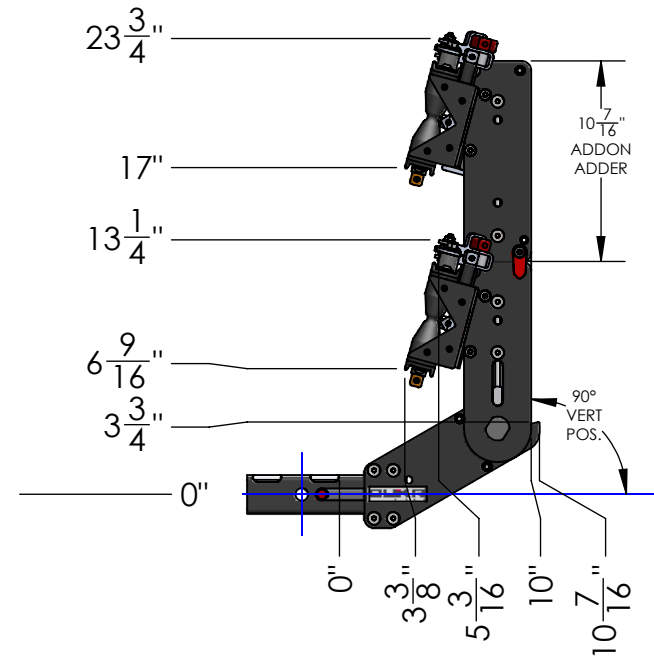
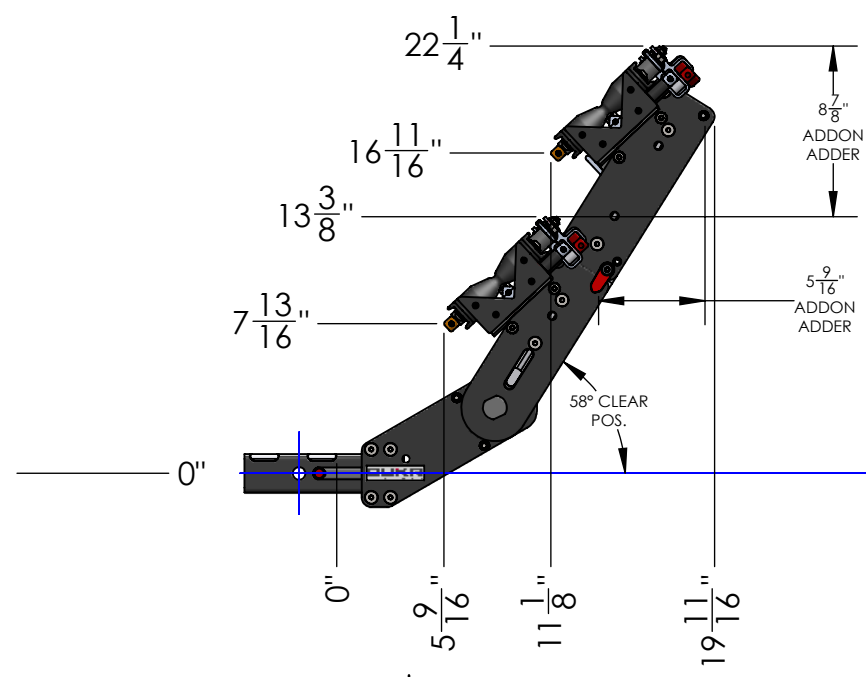
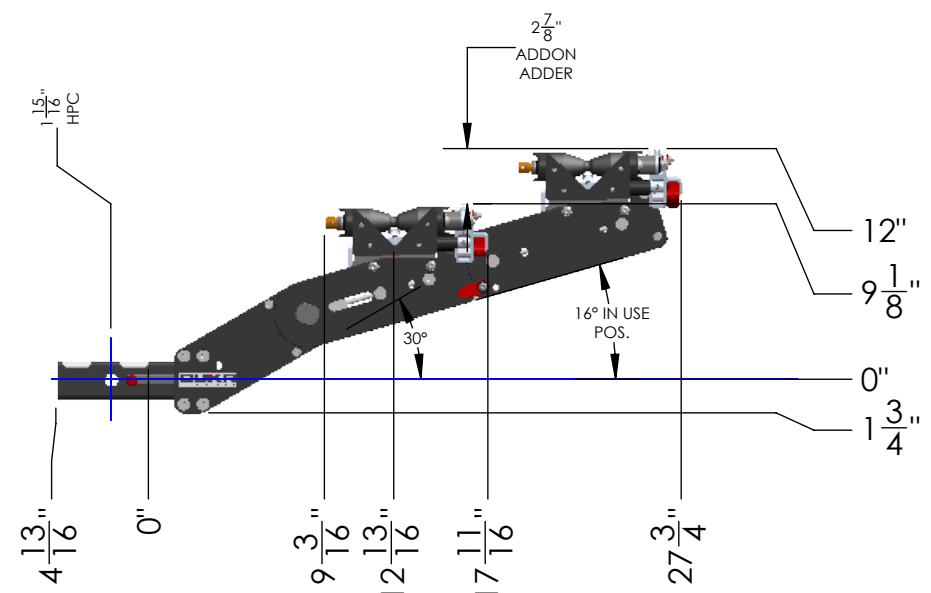


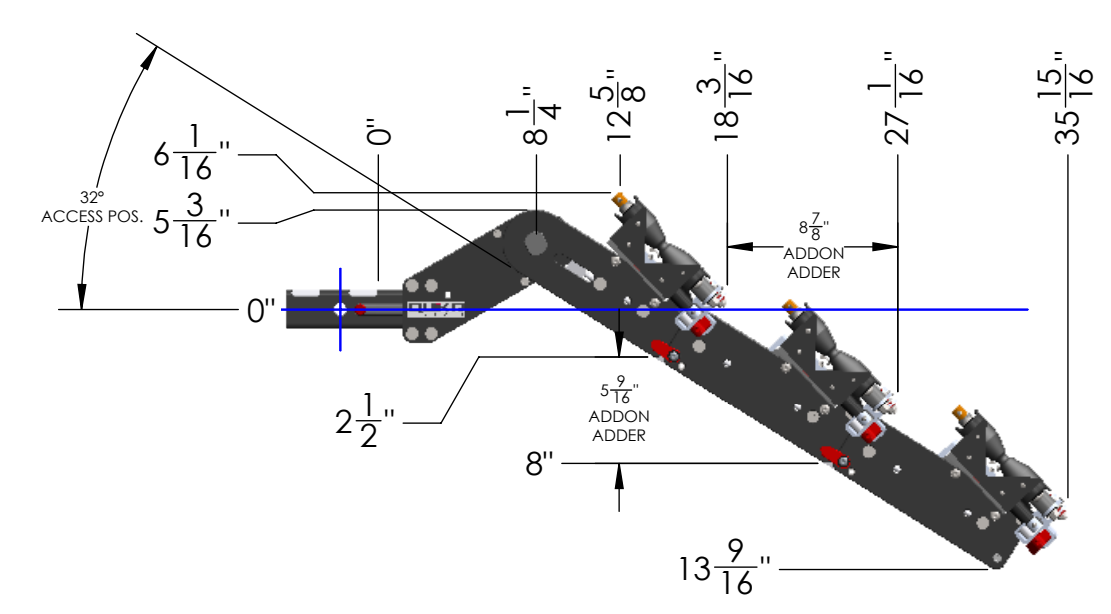
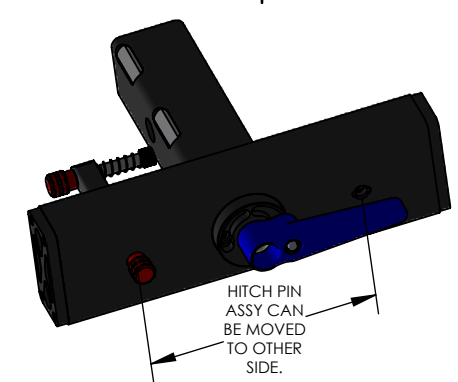
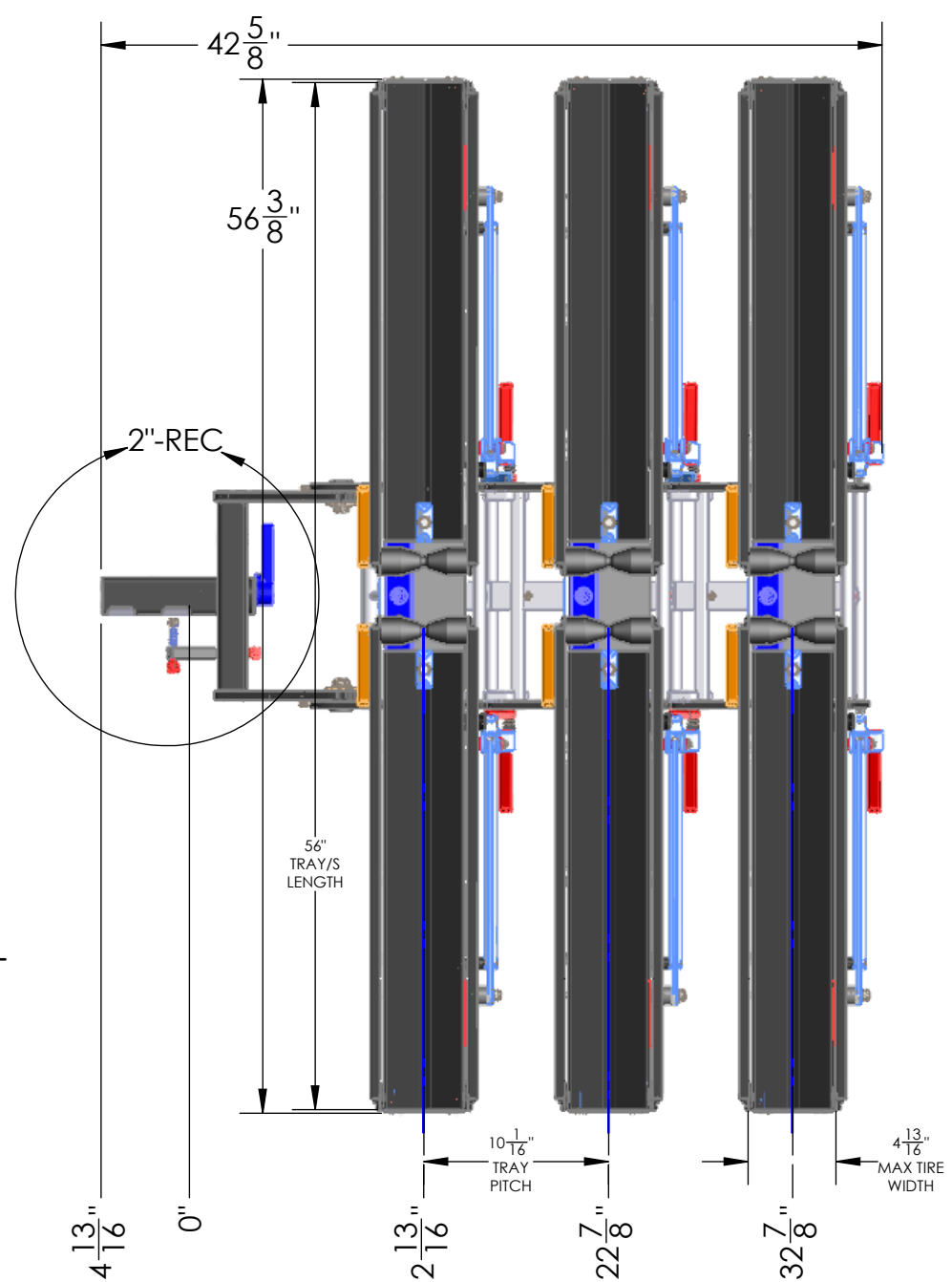


DETAIL 2"-REC SCALE 1 : 5

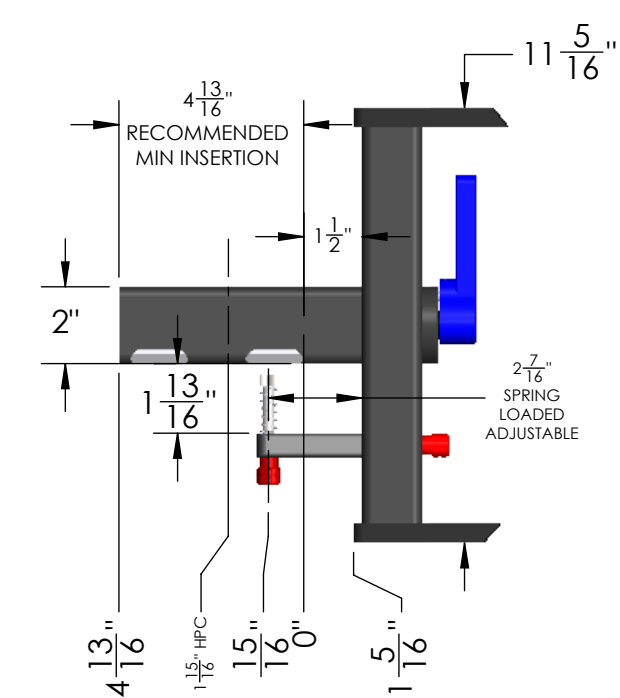


| MACH2 2" BASE + 1 ADDON | |
|--------------------------------|--------|
| WEIGHT | 55 LBS |

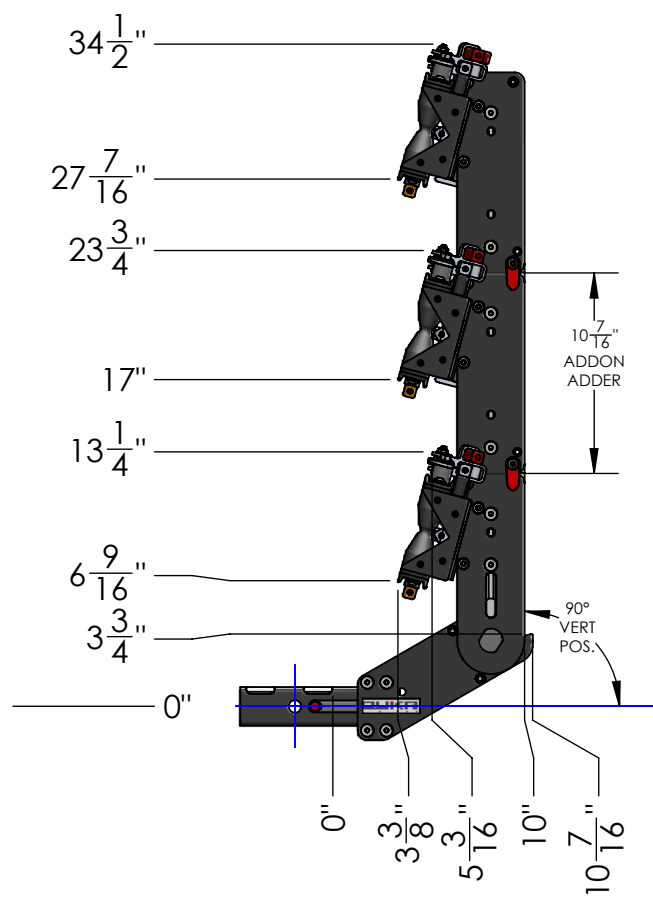
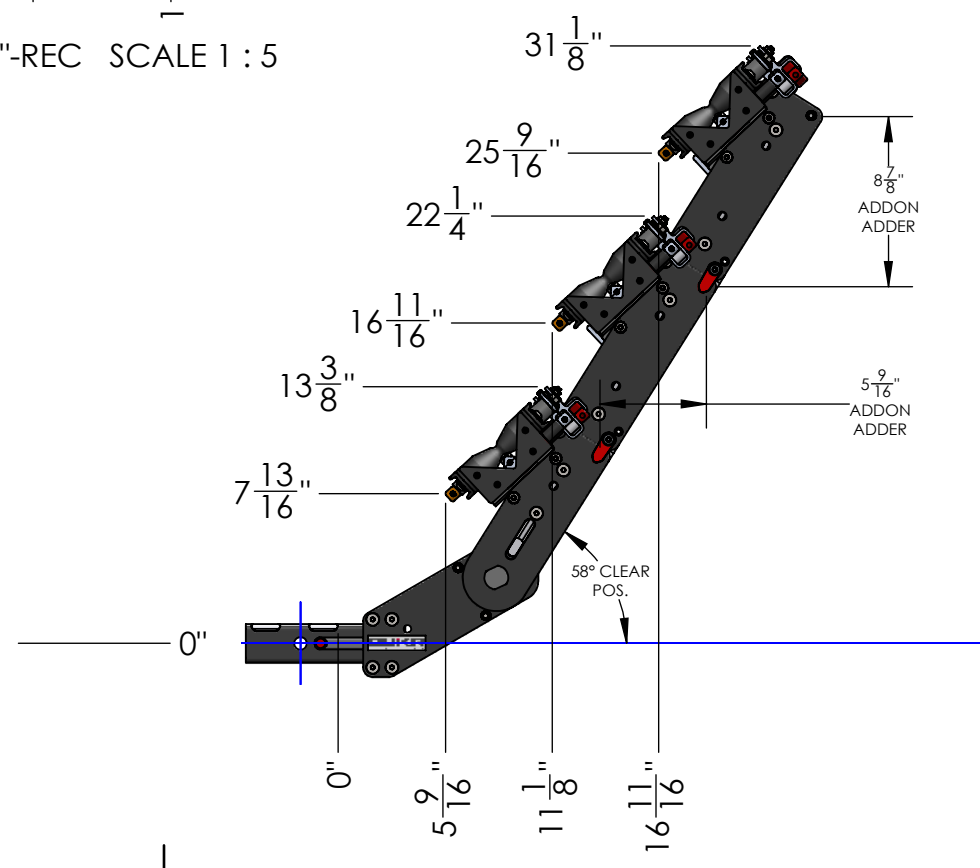
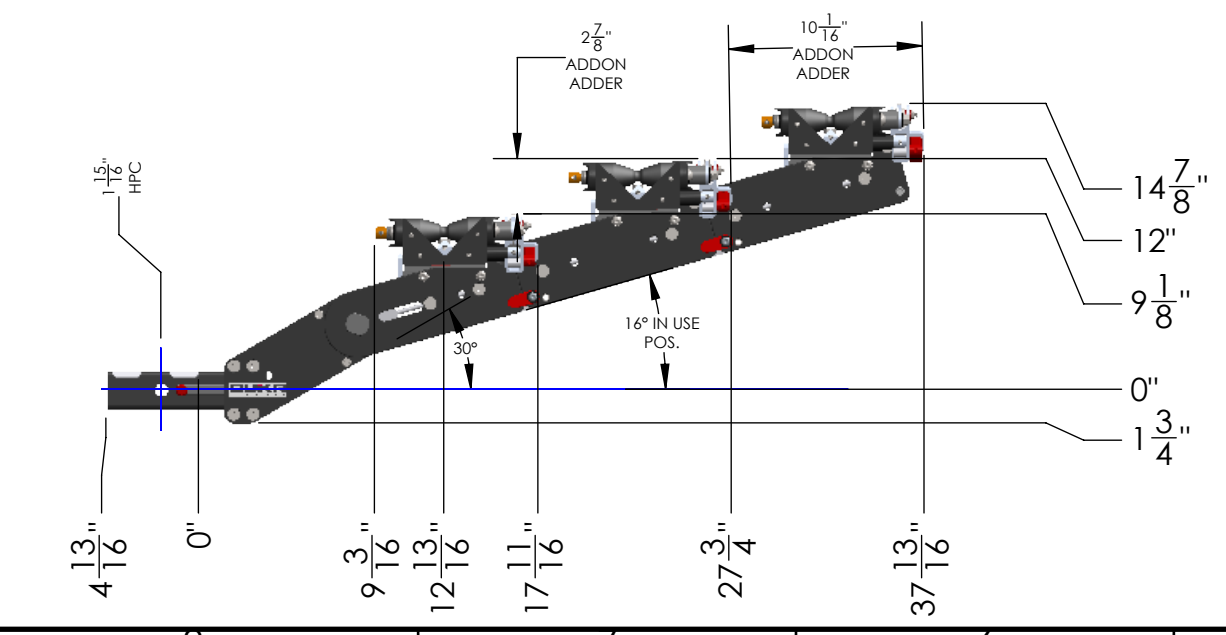


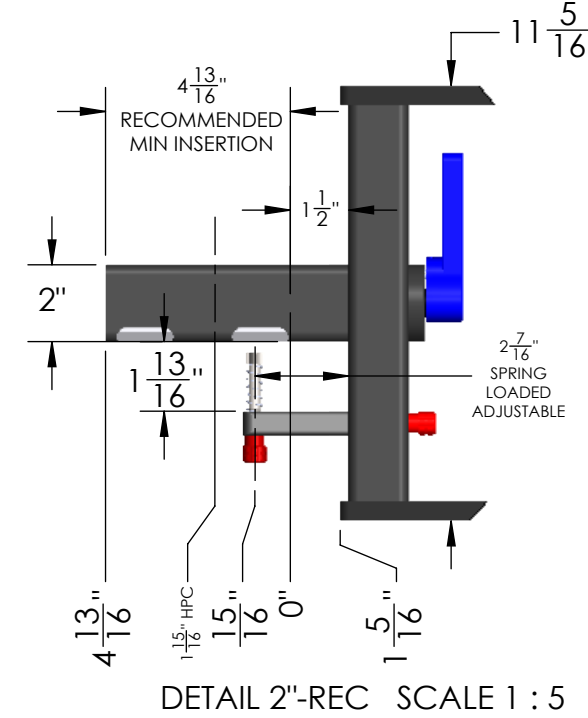
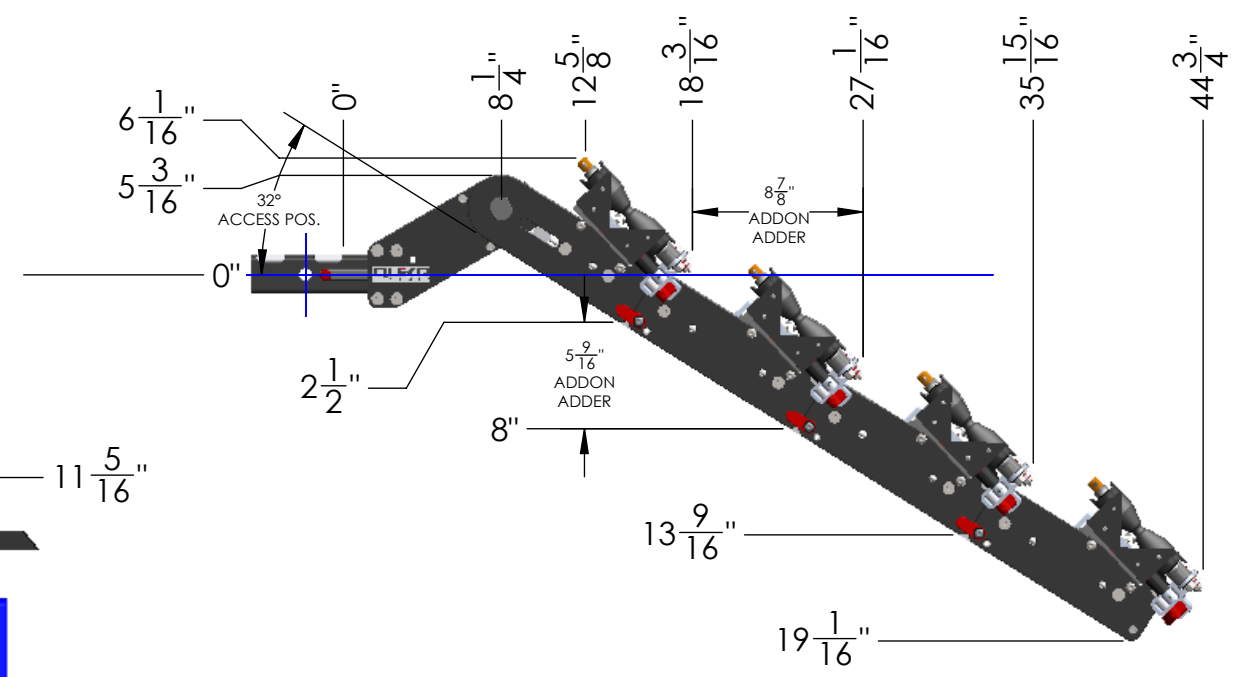
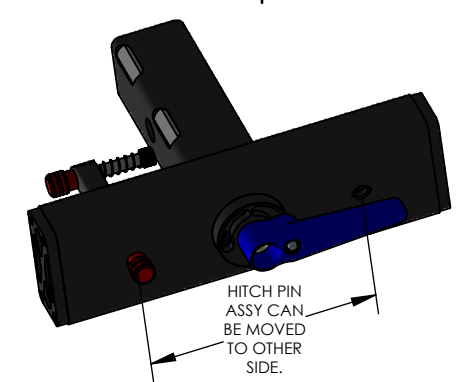
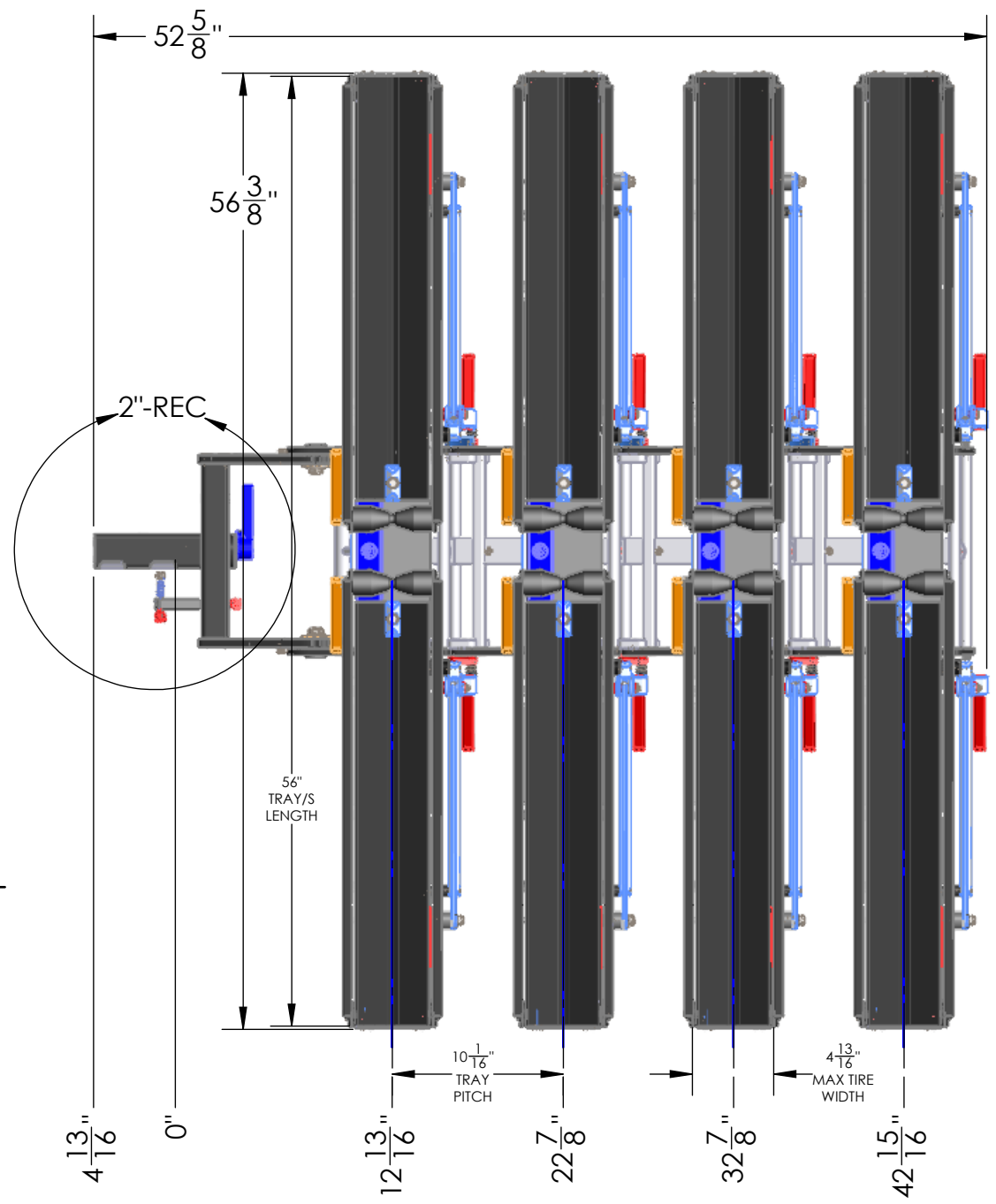


| MACH2 2" BASE + 2 ADDONS | |
|--------------------------|--------|
| WEIGHT | 78 LBS |

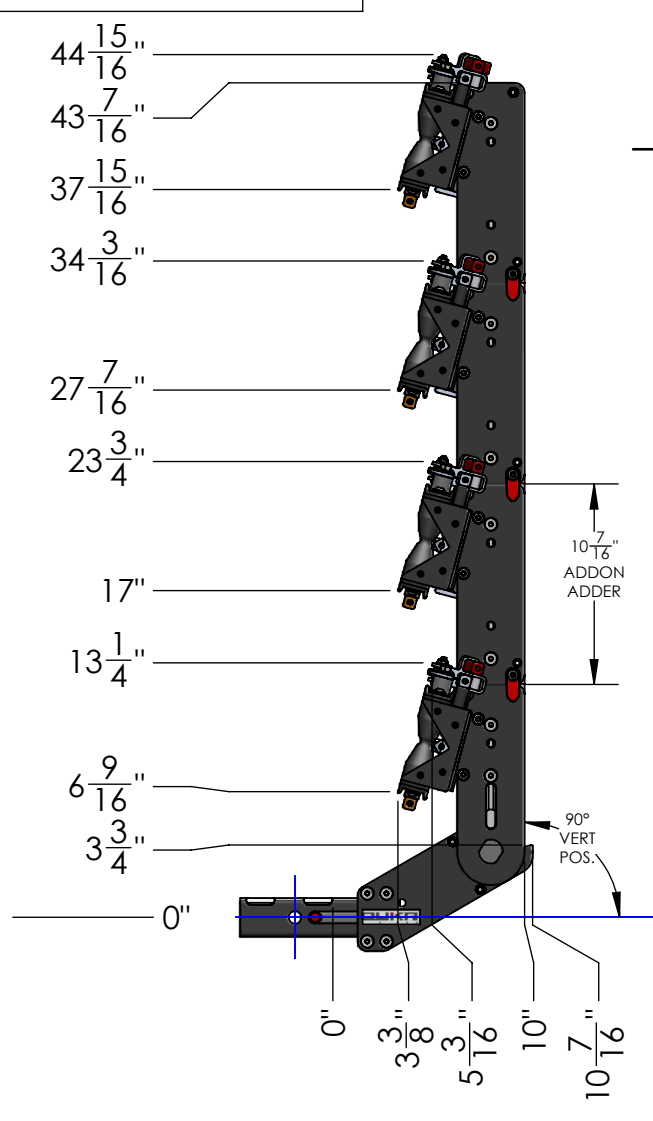
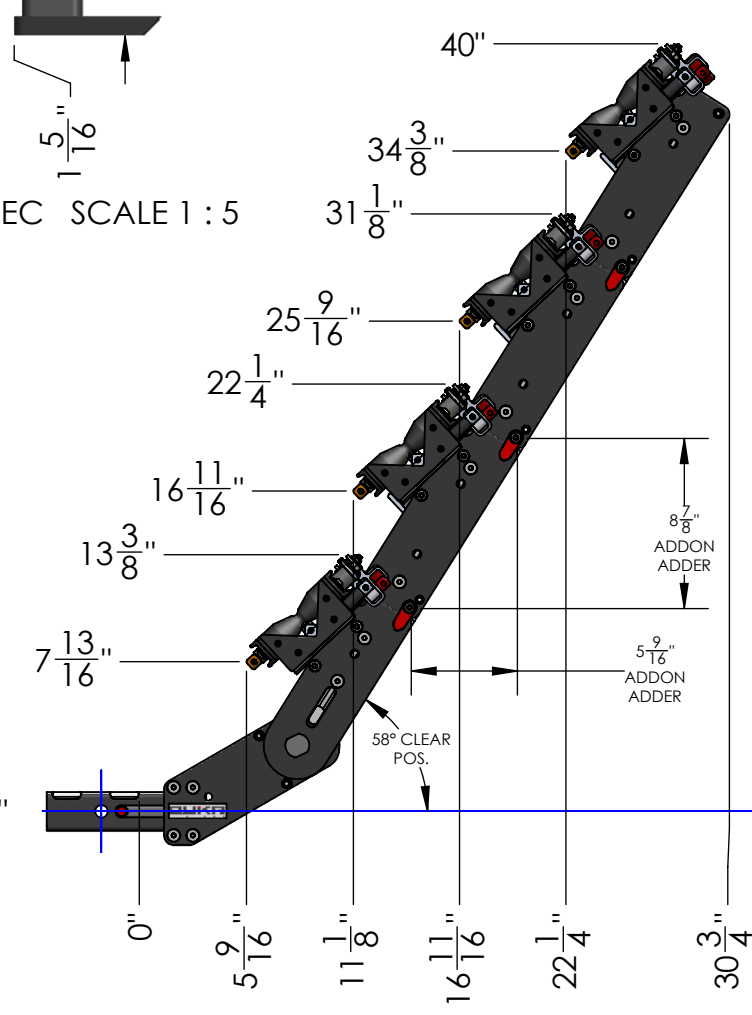
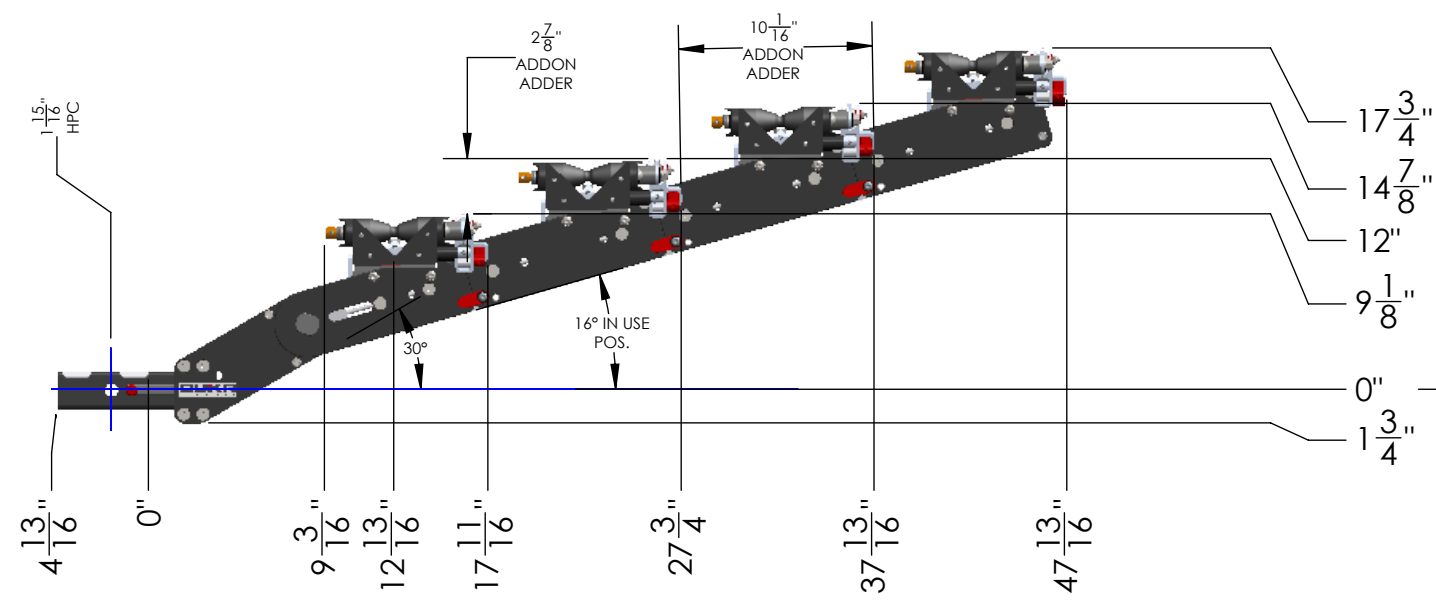


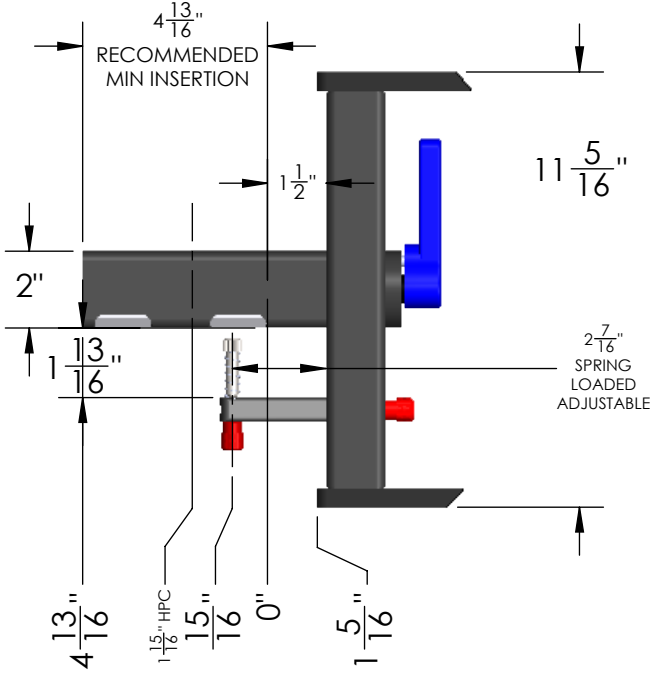
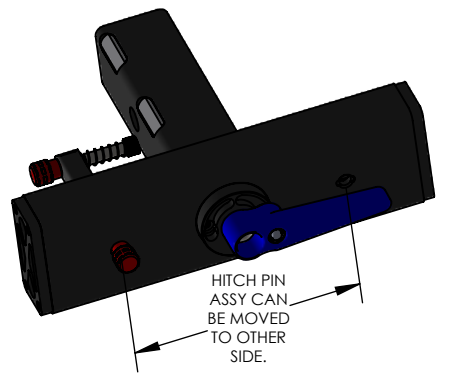
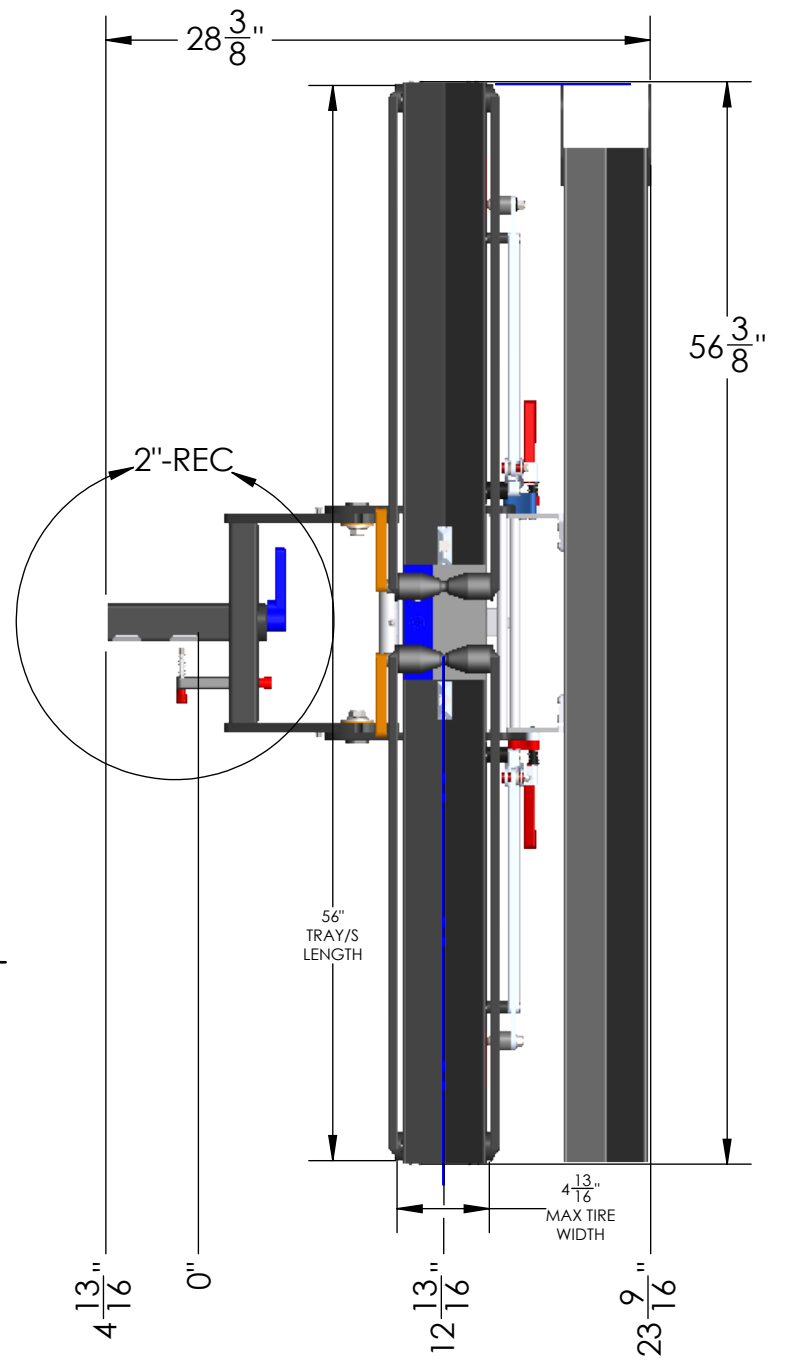
DETAIL 2"-REC SCALE 1 : 5



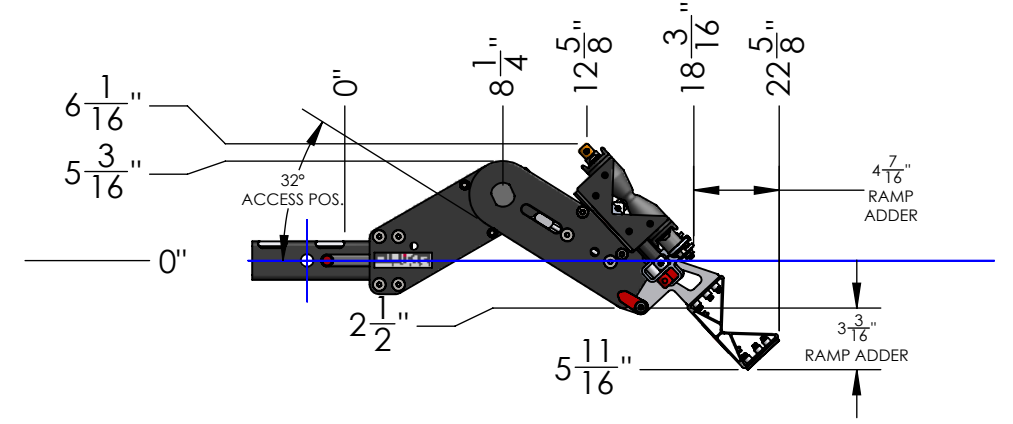


| MACH2 2" BASE + 3 ADDONS | |
|--------------------------|---------|
| WEIGHT | 101 LBS |



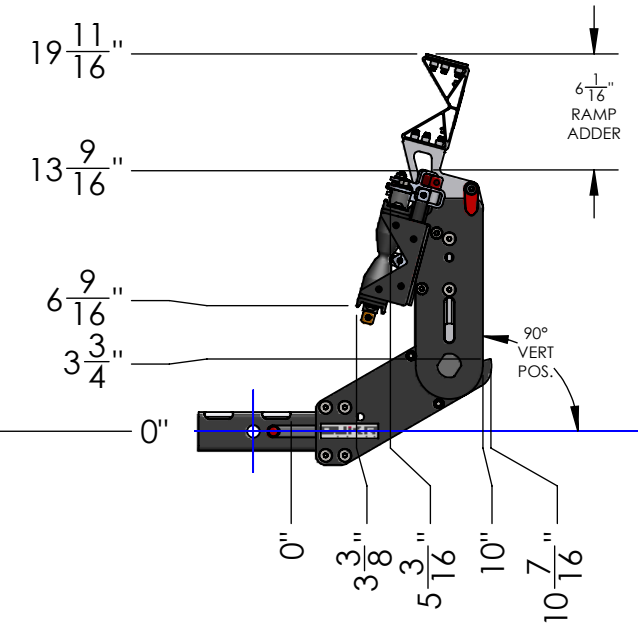
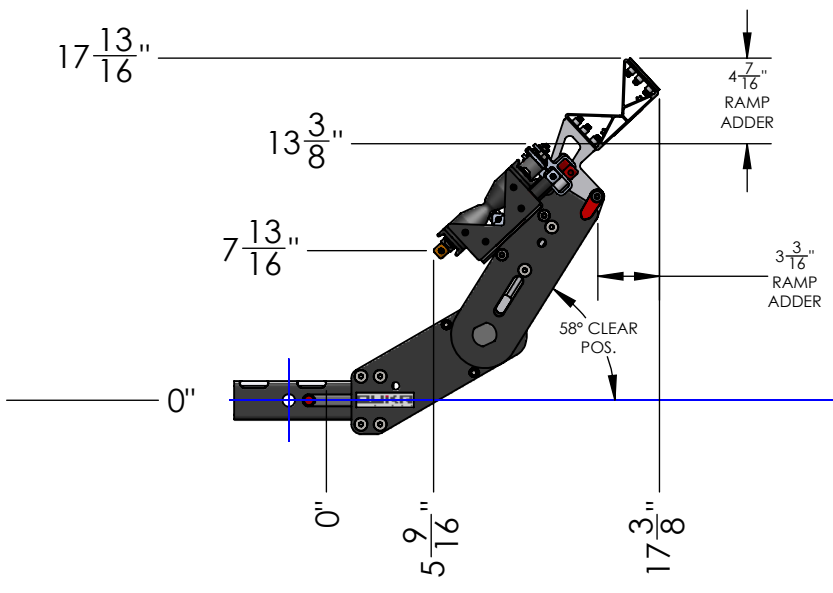
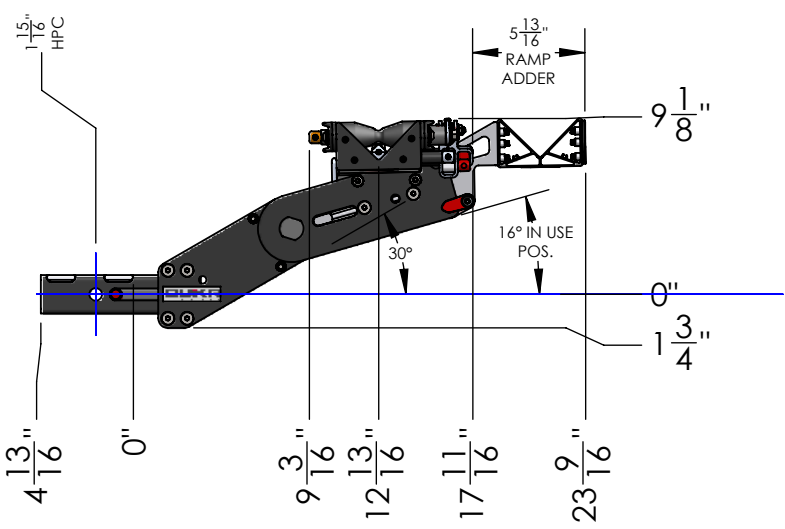


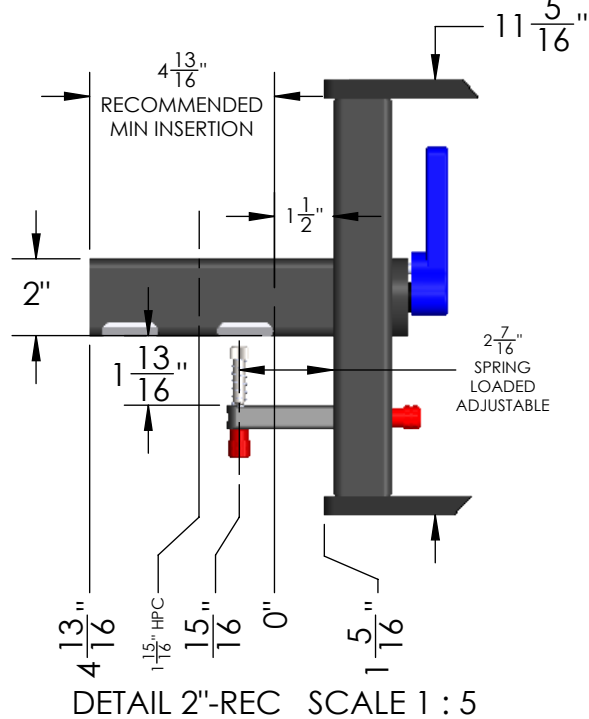
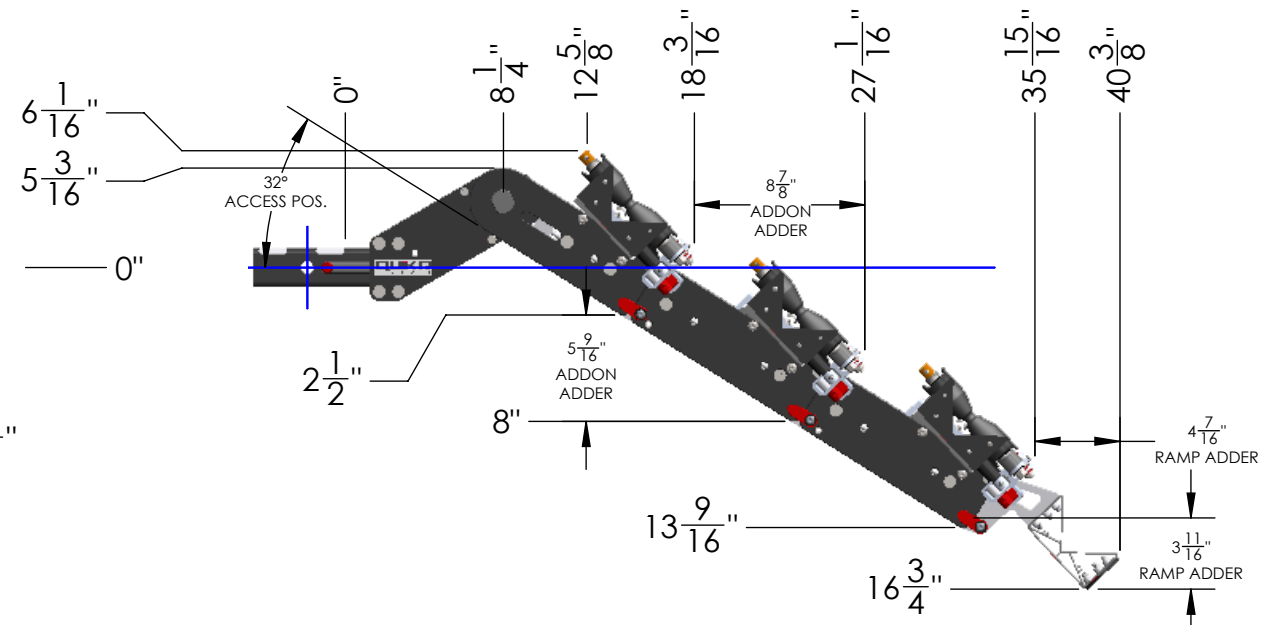
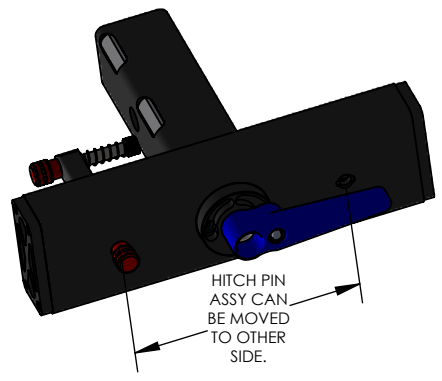
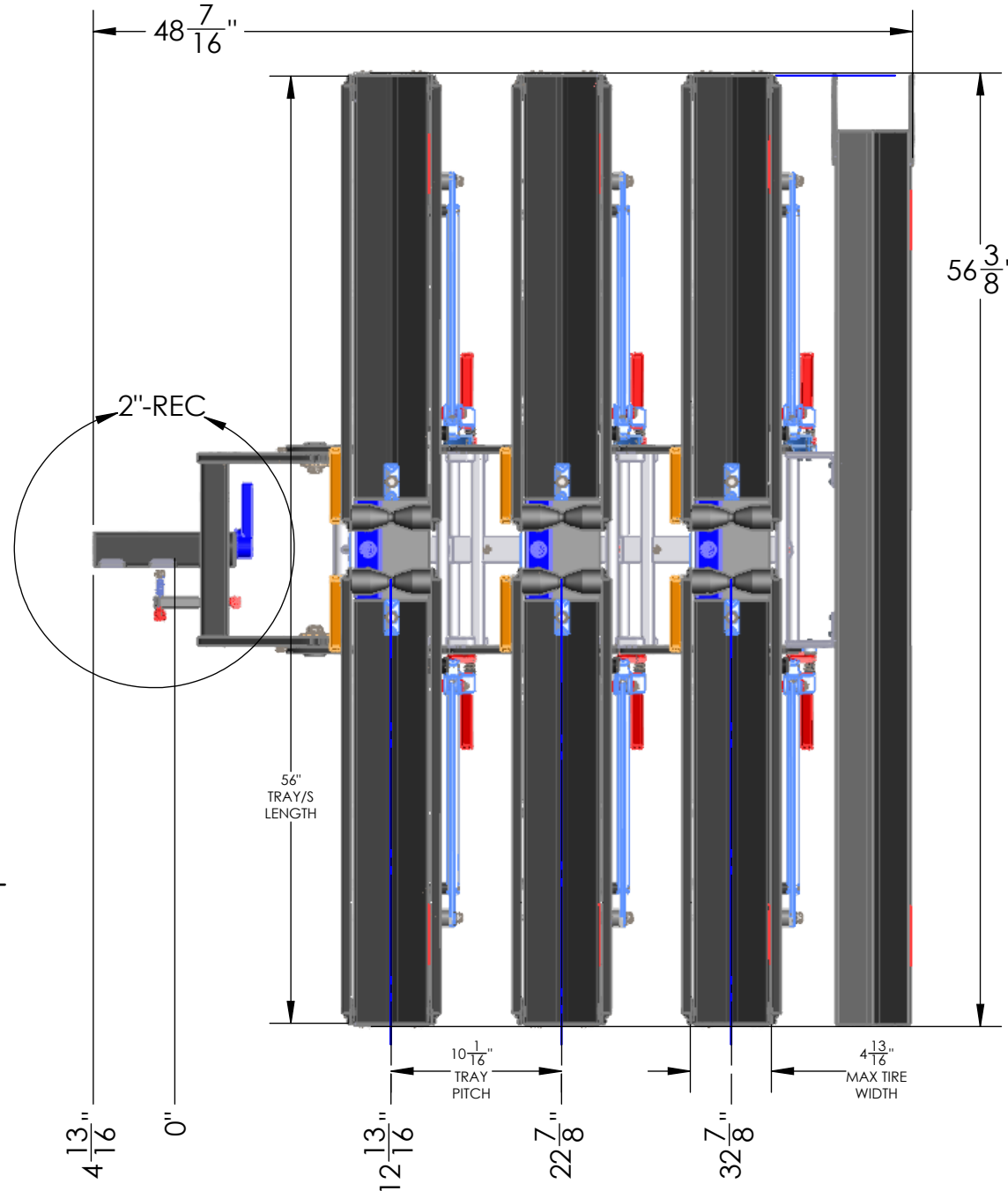
DETAIL 2"-REC
SCALE 1 : 5



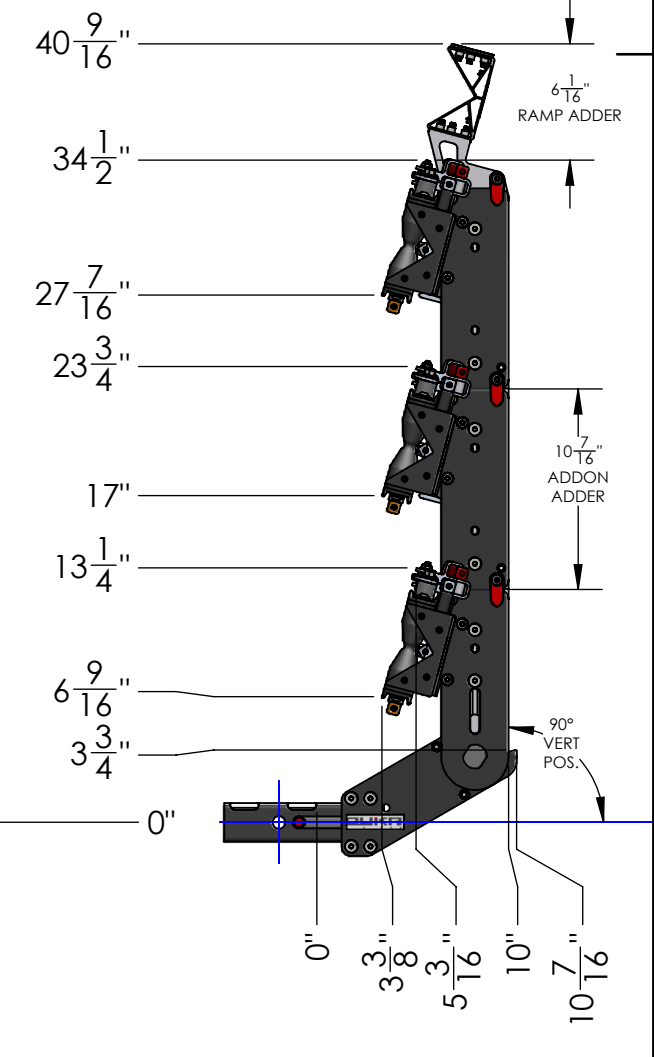
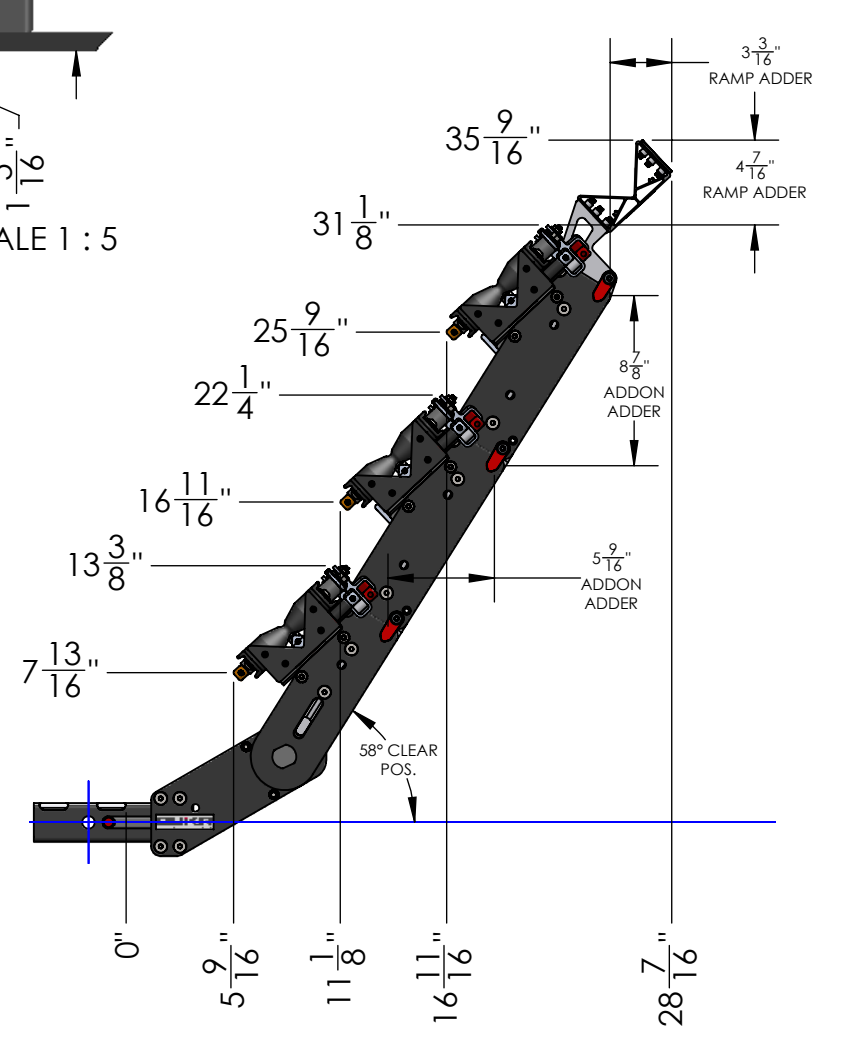
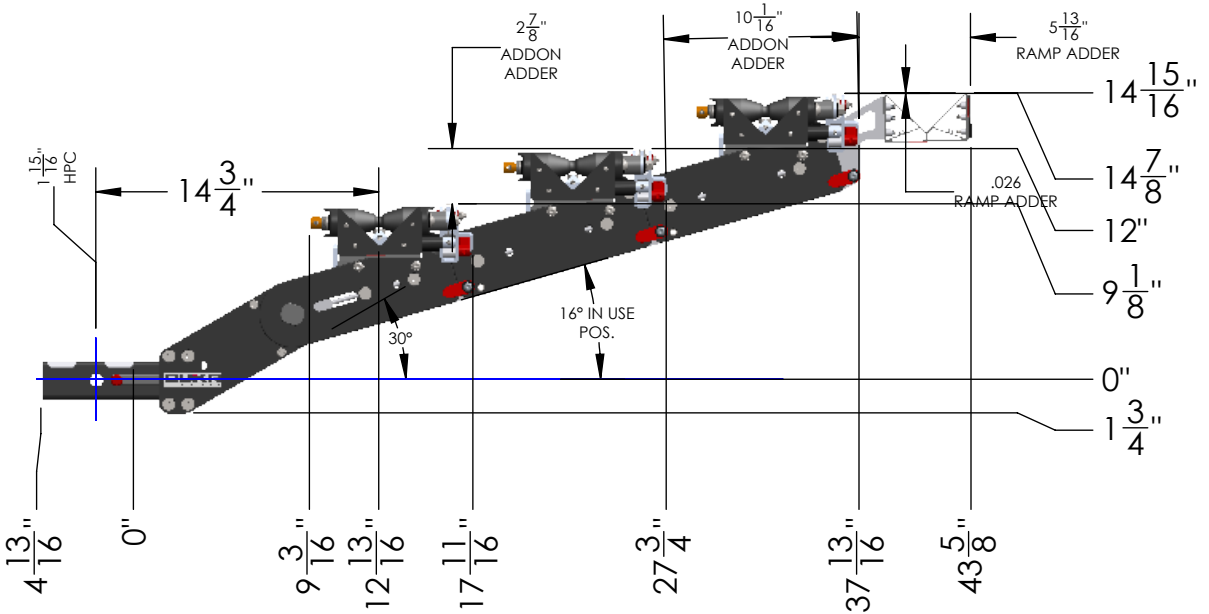
MACH2 2" BASE + RAMP

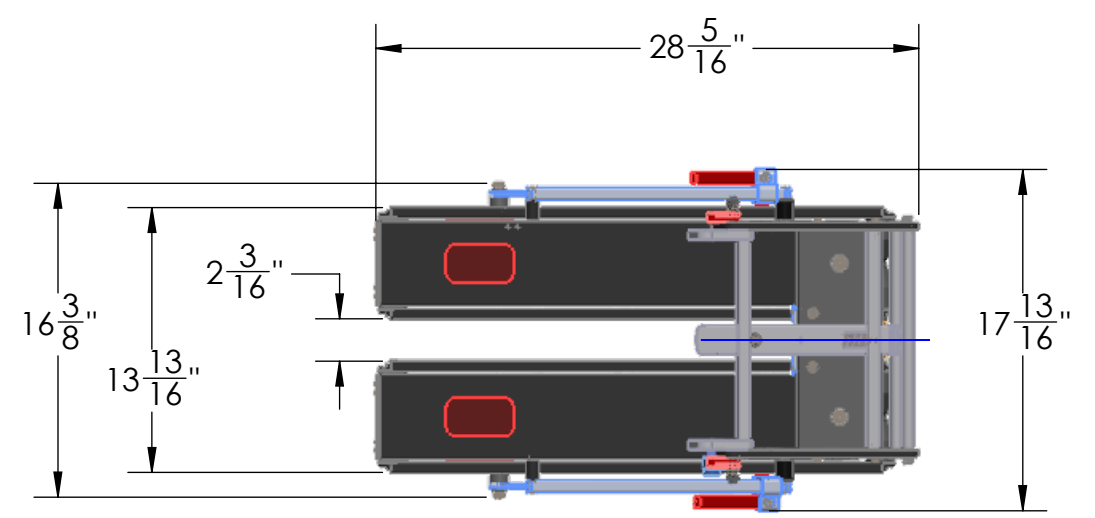
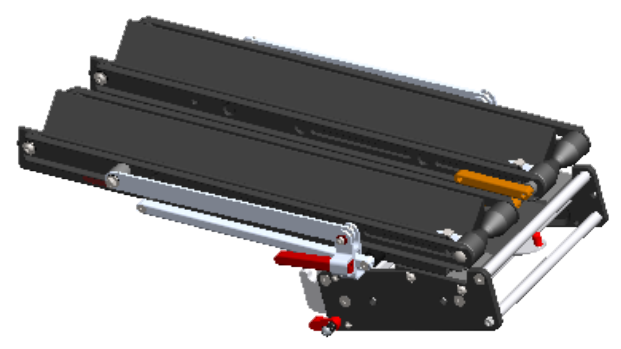
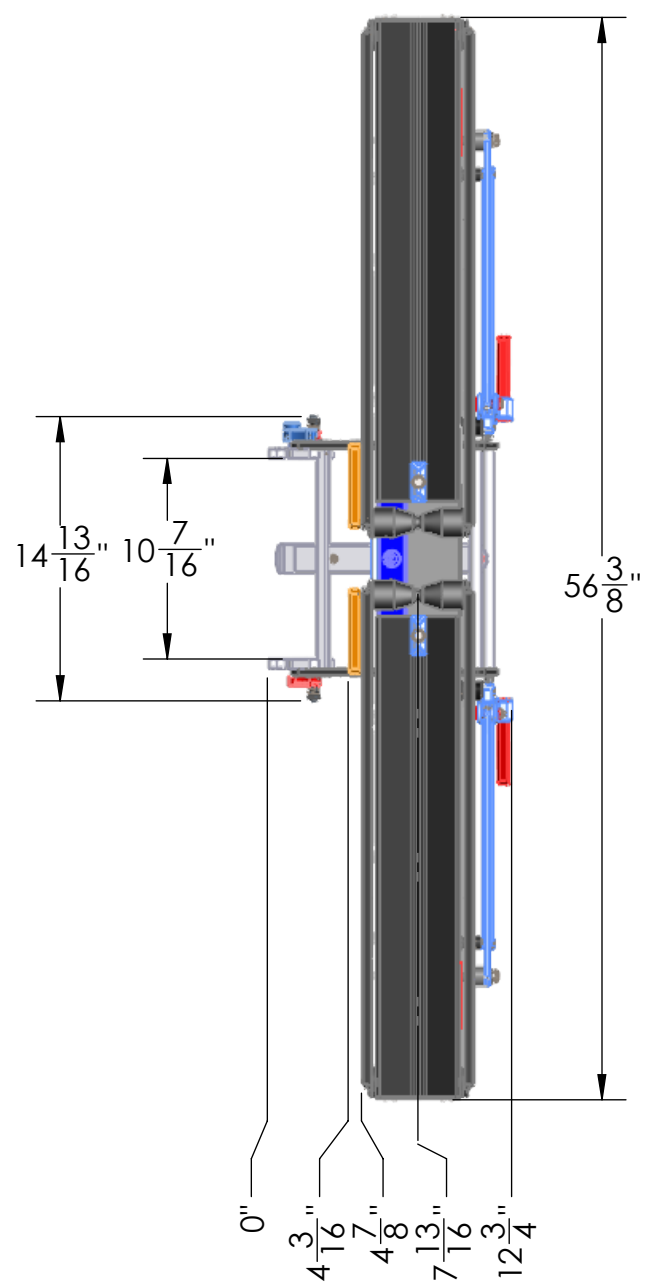
| | |
|--------|--------|
| WEIGHT | 42 LBS |
|--------|--------|





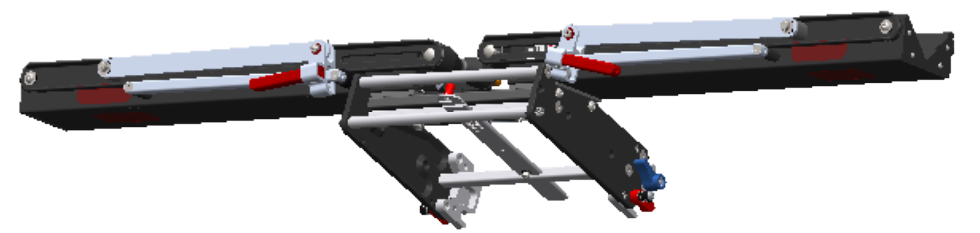
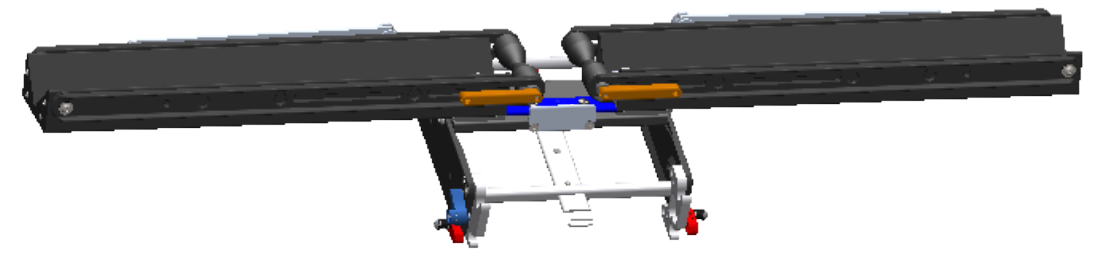
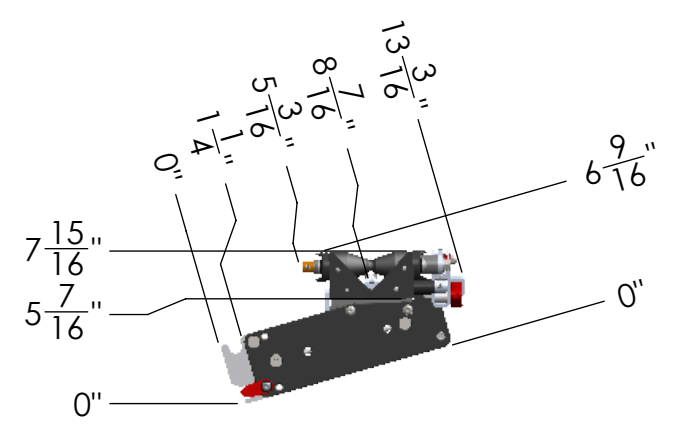
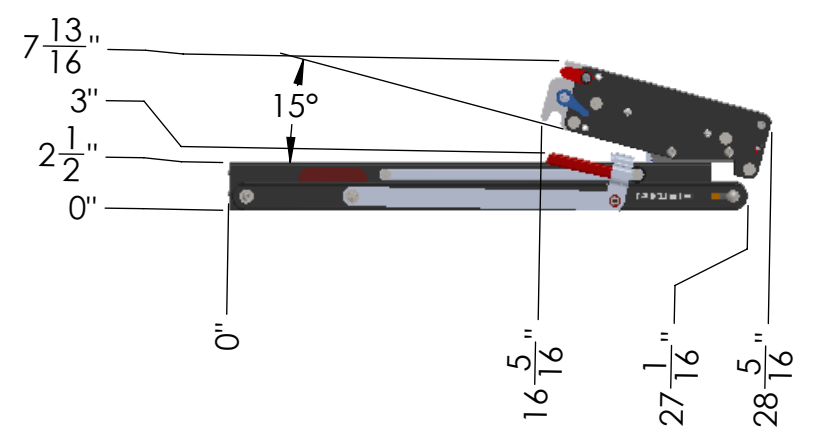
| MACH2 BASE 2" + 2 ADDONS + RAMP | |
|---------------------------------|--------|
| WEIGHT | 88 LBS |

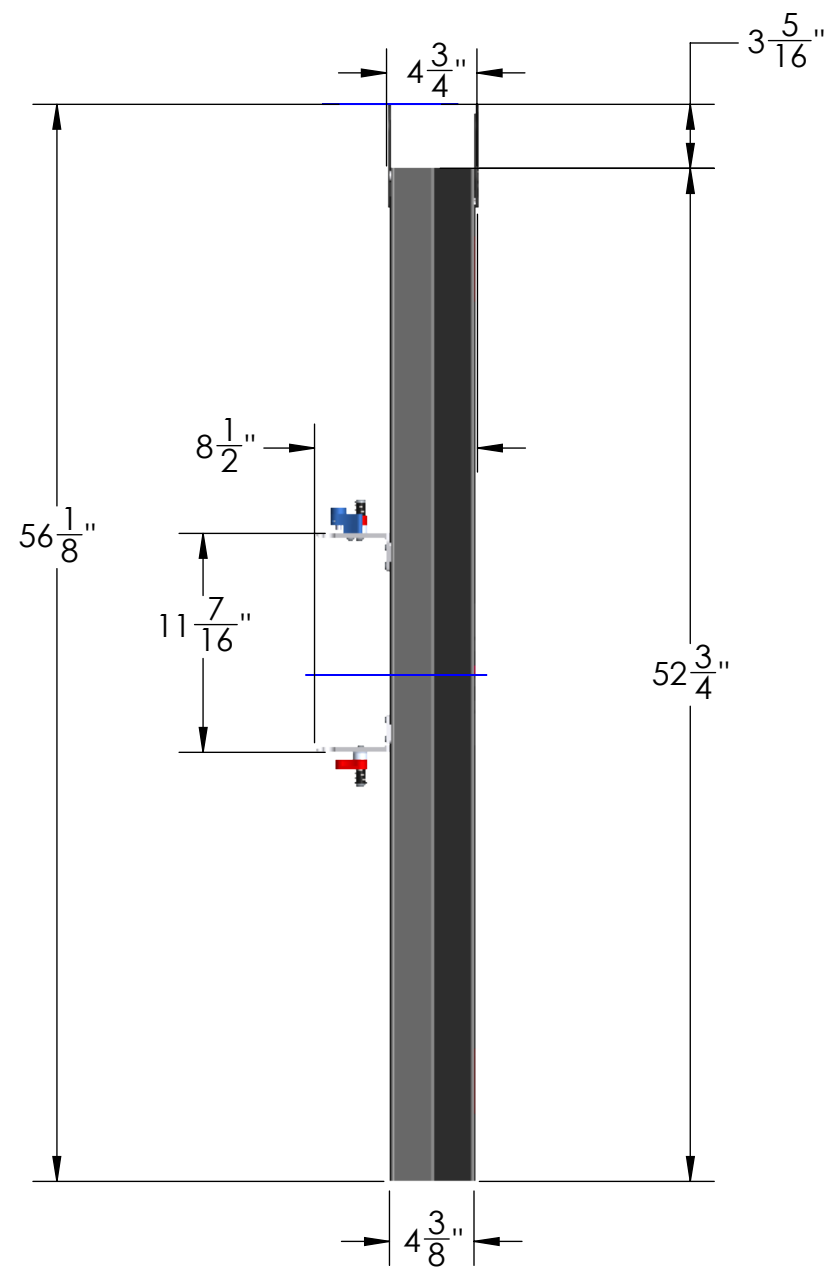




**MACH2 ADDON ASSEMBLY
(SAME FOR 2" OR 1.25")**

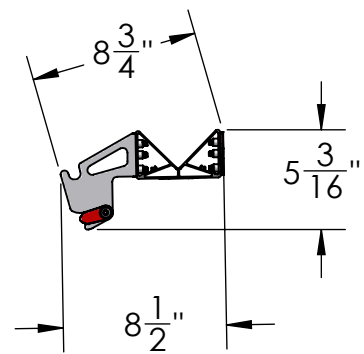
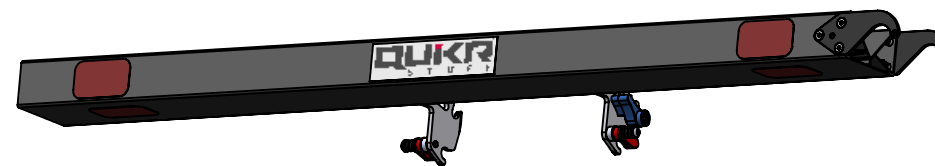
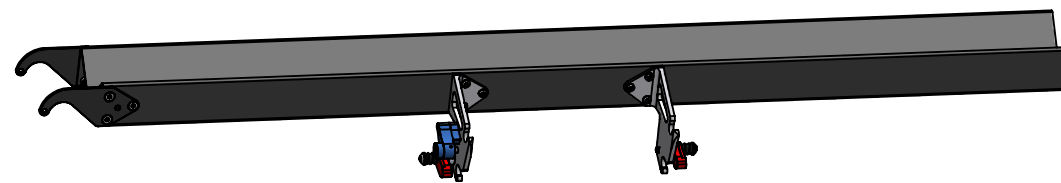
| | |
|-----------------|----------------|
| WEIGHT | 23 LBS |
| BOX DIMENSIONS | 31" X 19" X 9" |
| SHIPPING WEIGHT | 29 LBS |

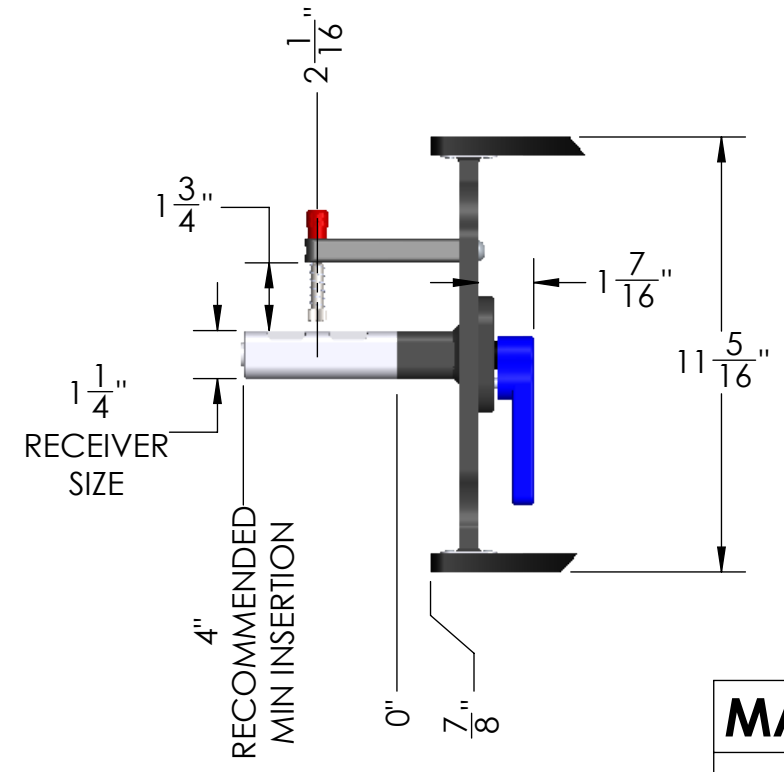
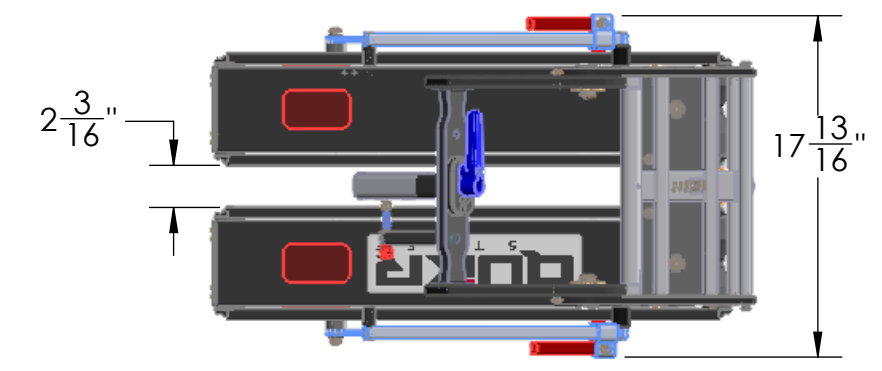
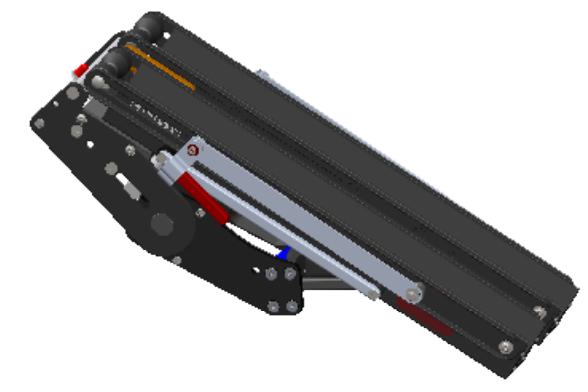
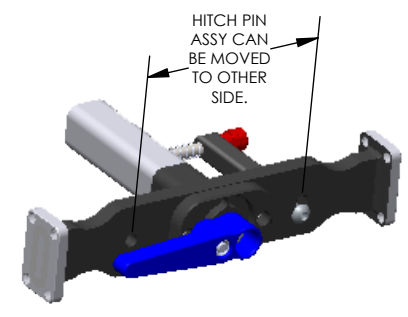
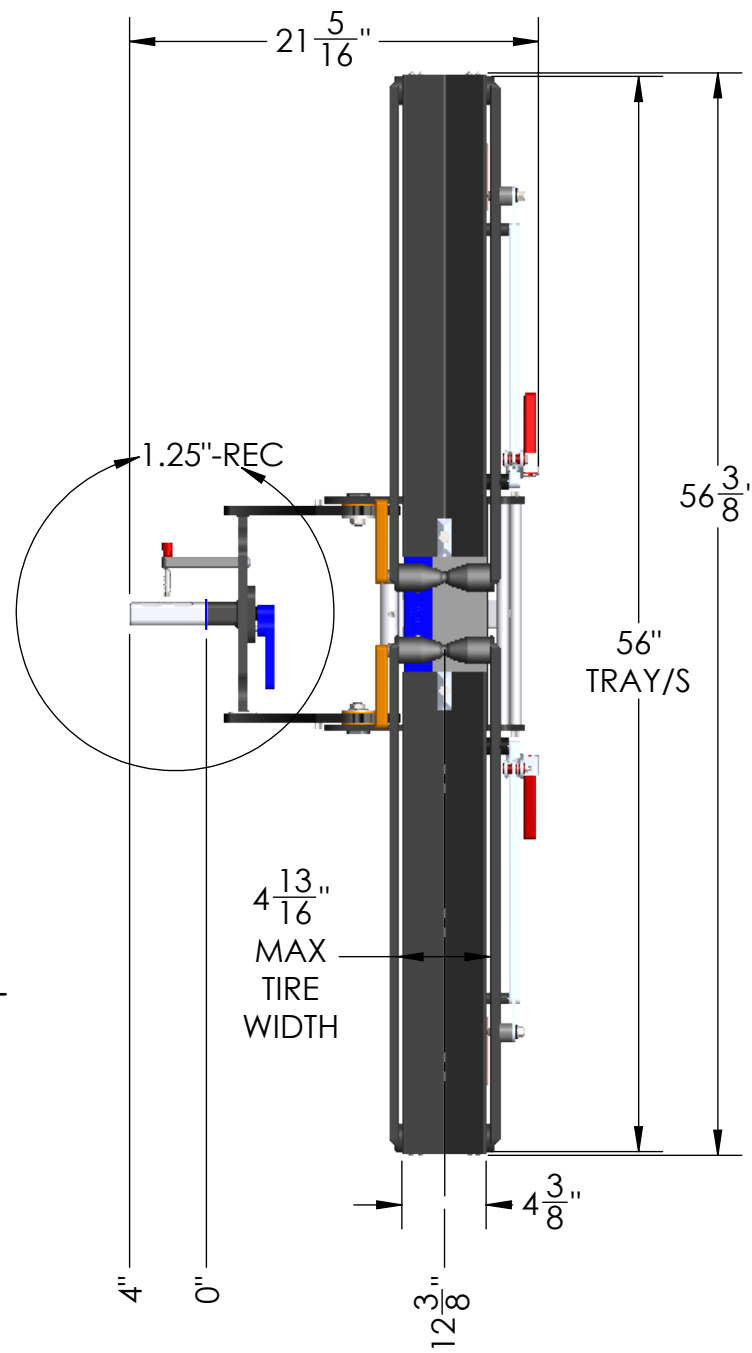




**MACH2 RAMP ASSEMBLY
(SAME FOR 2" OR 1.25")**

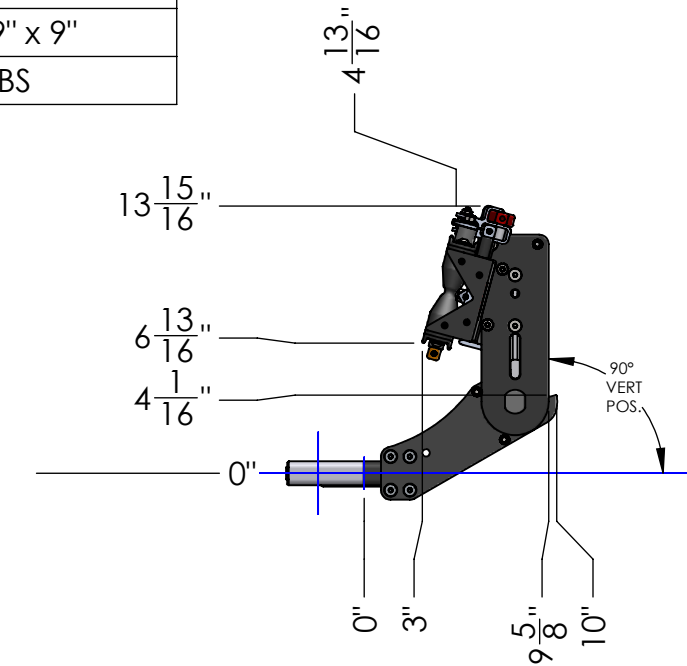
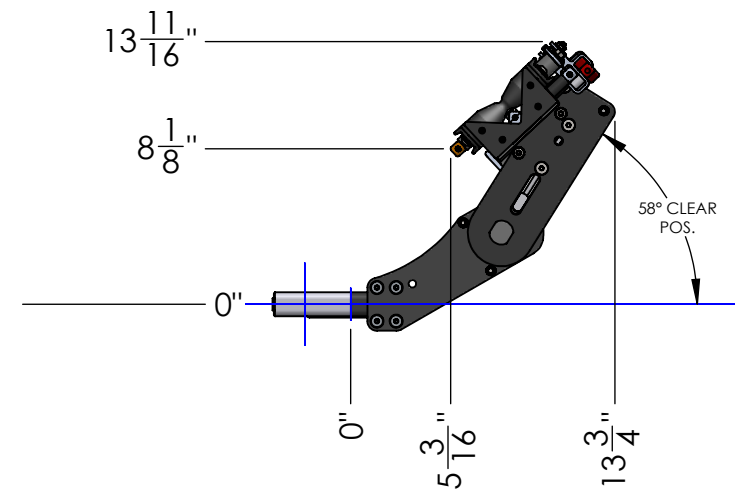
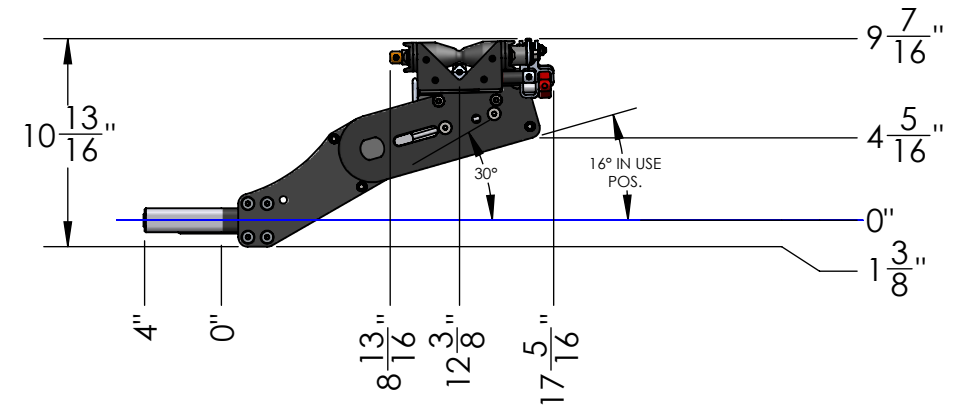
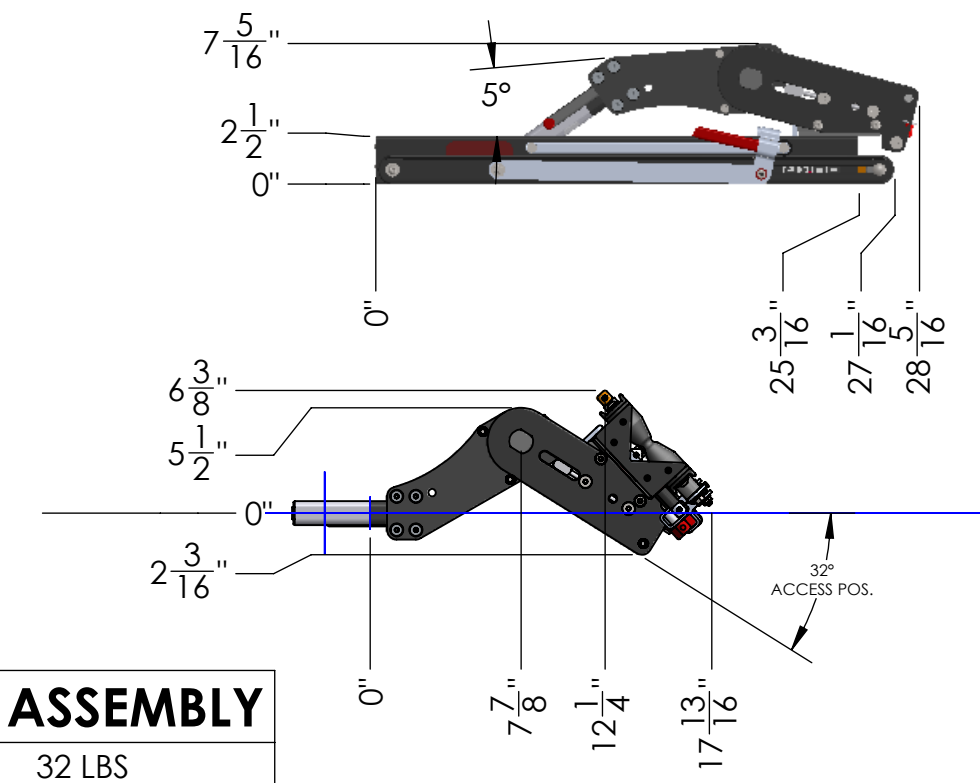
| | |
|-----------------|---------------|
| WEIGHT | 10 LBS |
| BOX DIMENSIONS | 54" x 9" x 7" |
| SHIPPING WEIGHT | 13 LBS |

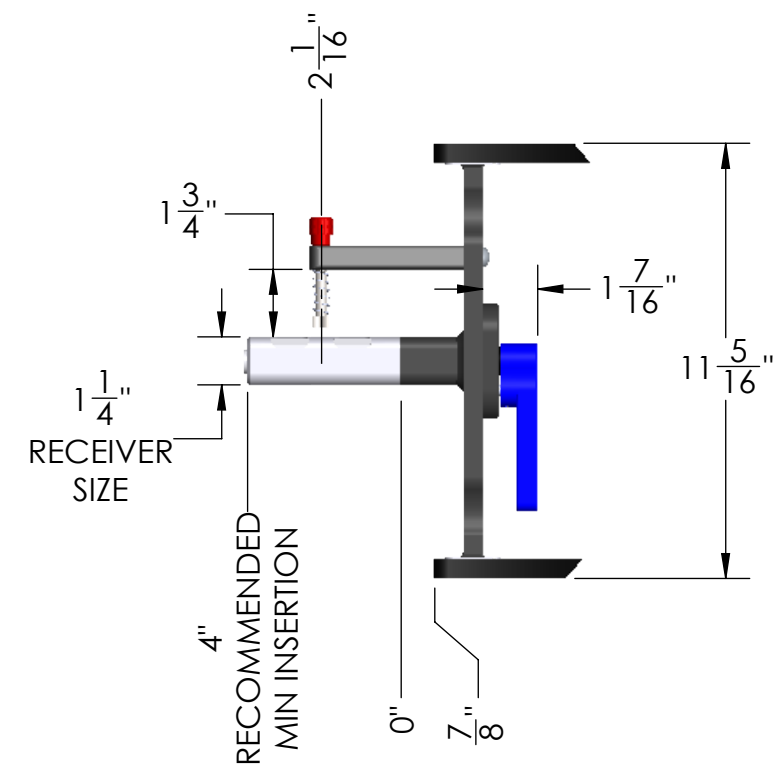
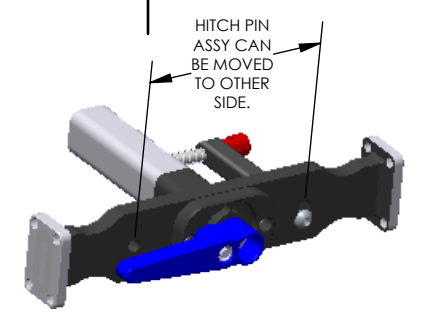
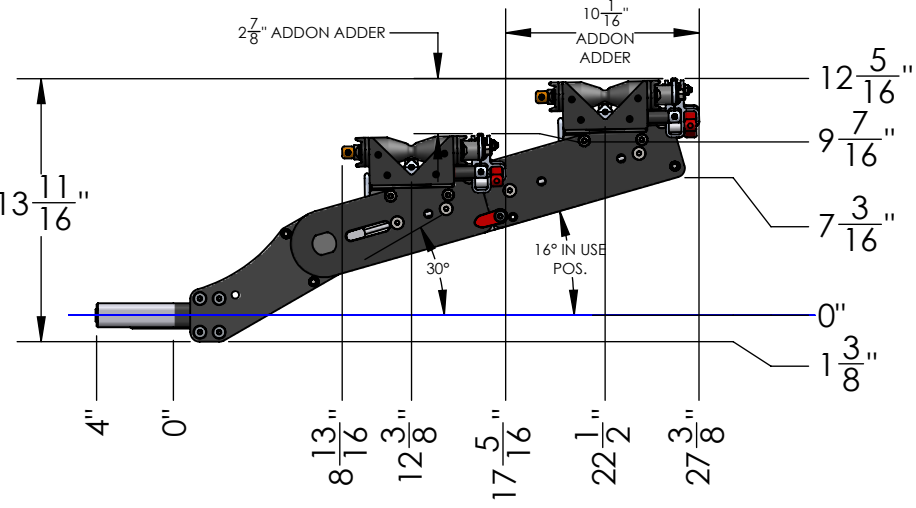
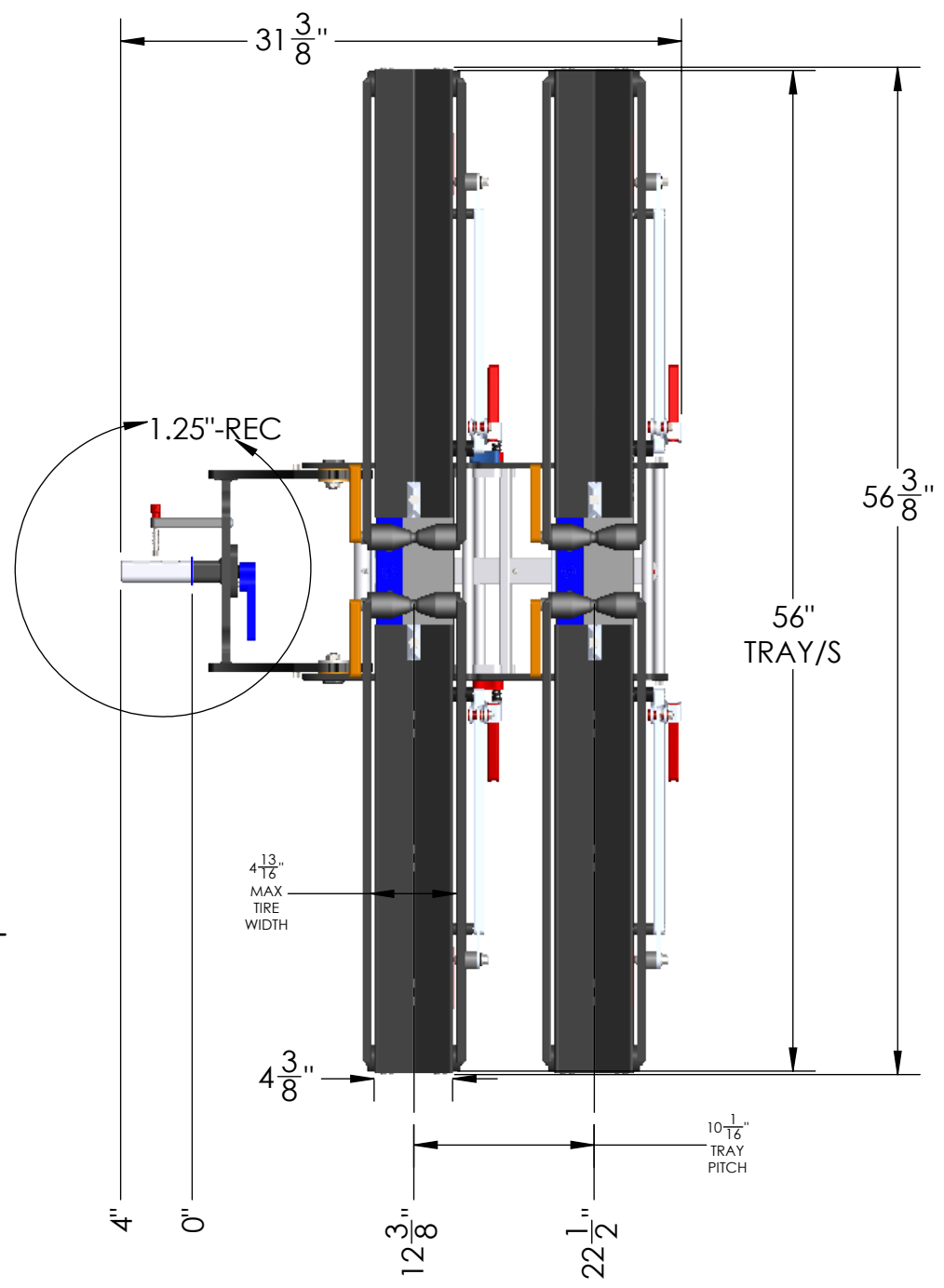




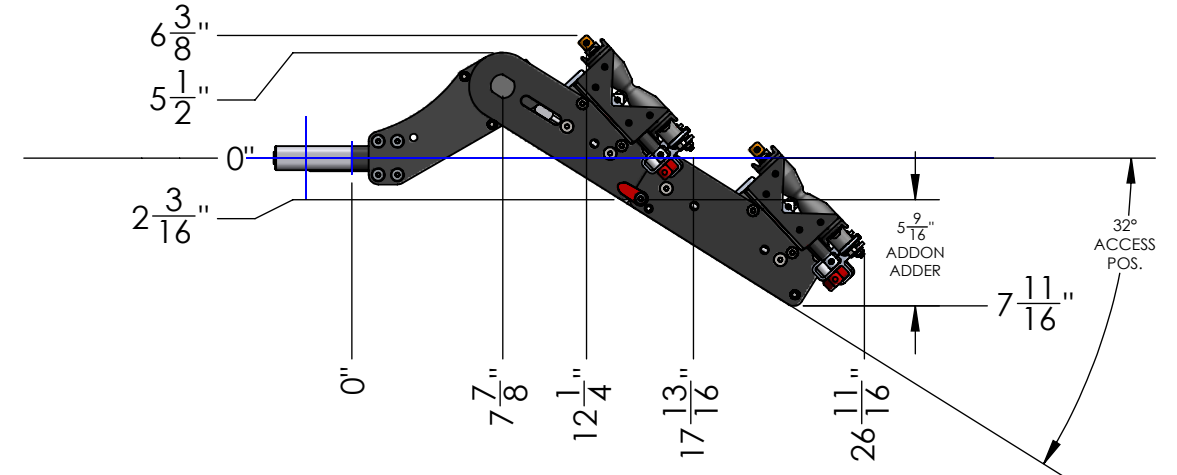
DETAIL 1.25"-REC
SCALE 1 : 5

| MACH2 1.25" BASE ASSEMBLY | |
|---------------------------|----------------|
| WEIGHT | 32 LBS |
| BOX DIMENSIONS | 31" x 19" x 9" |
| SHIPPING WEIGHT | 37 LBS |

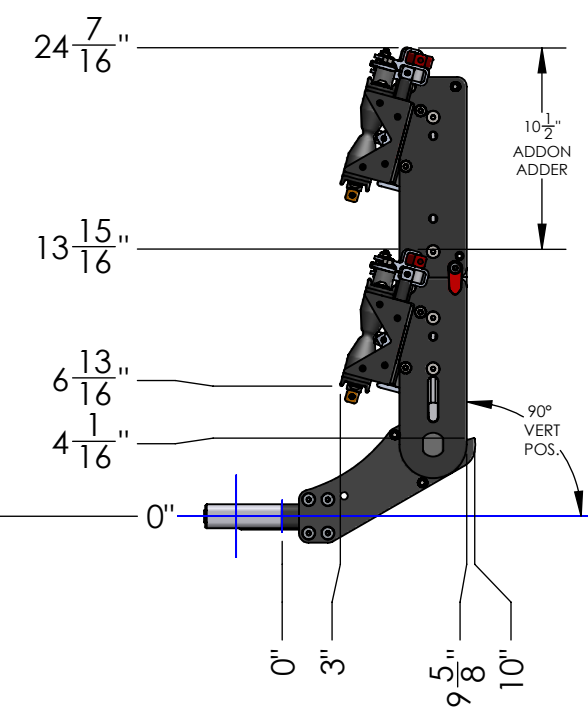
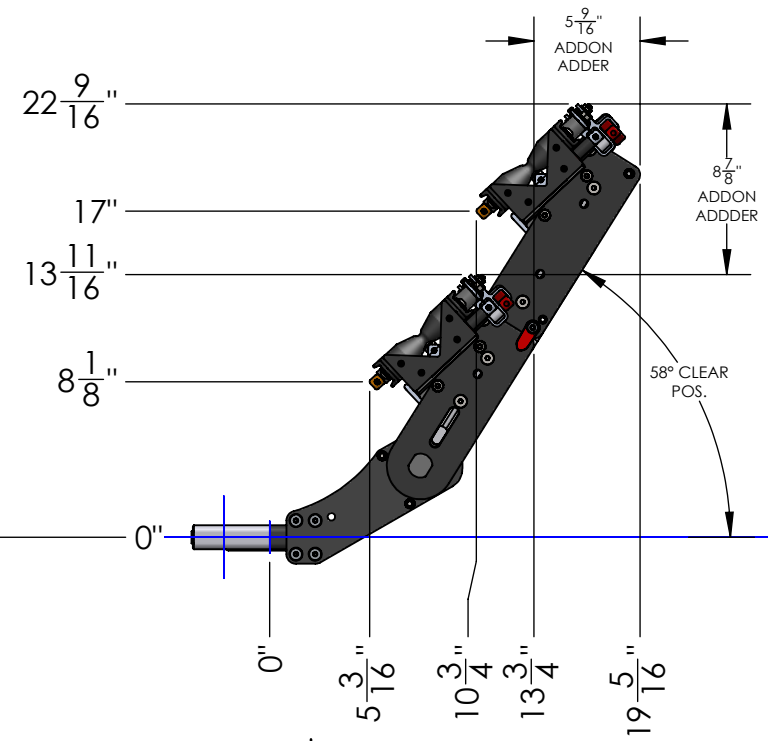


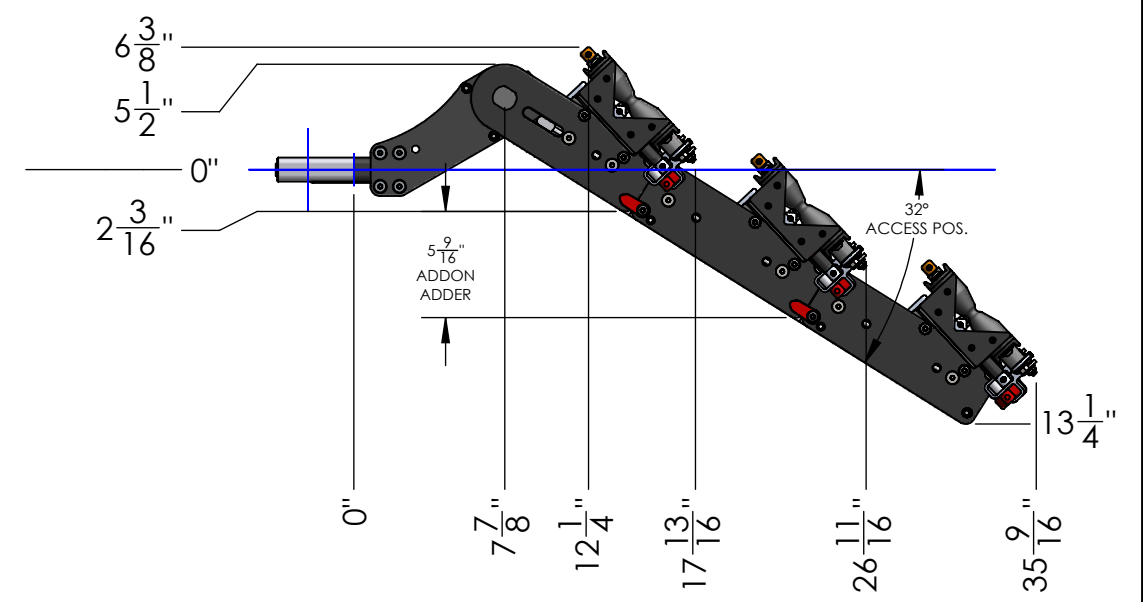
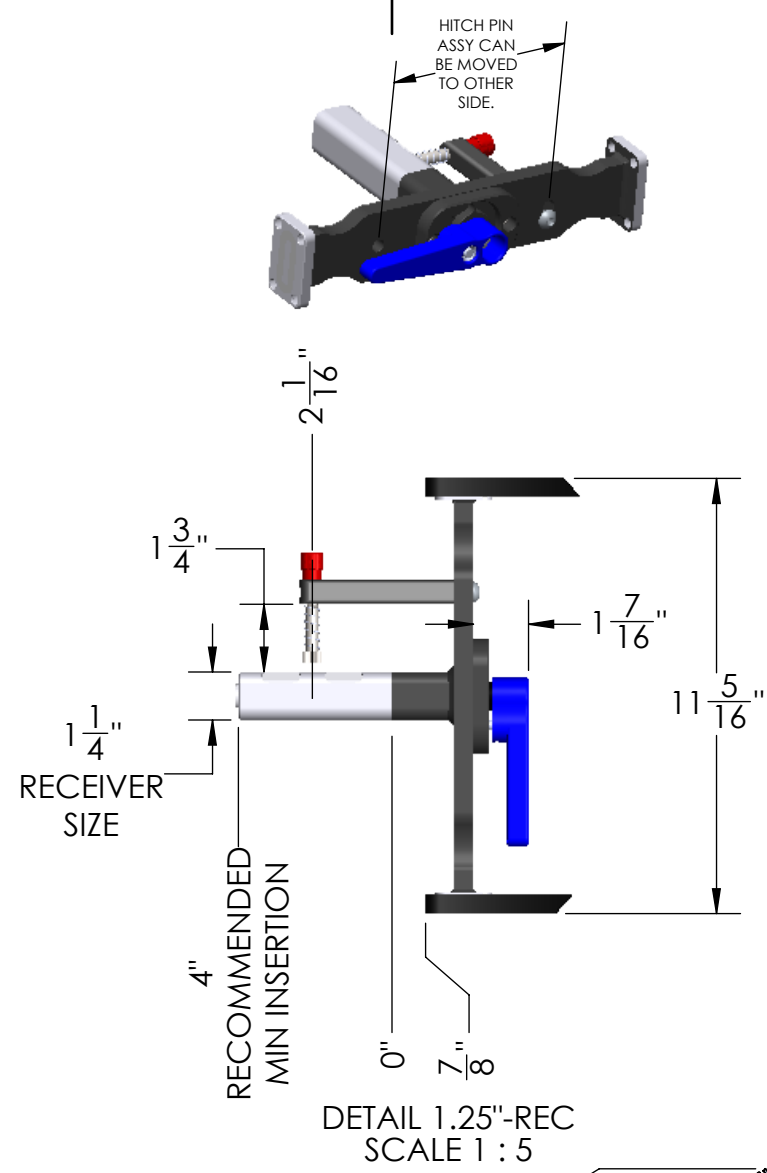
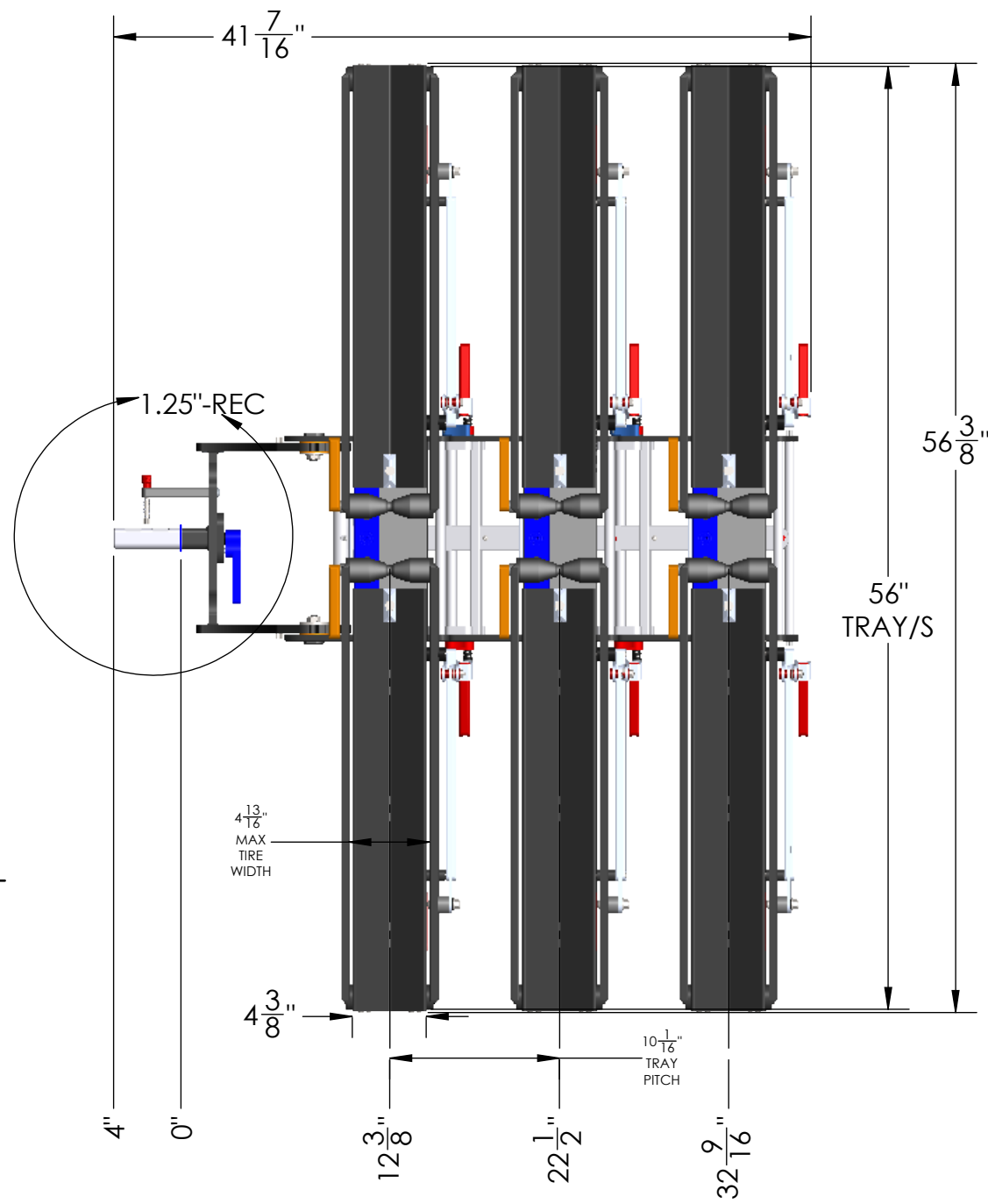


DETAIL 1.25"-REC
SCALE 1 : 5

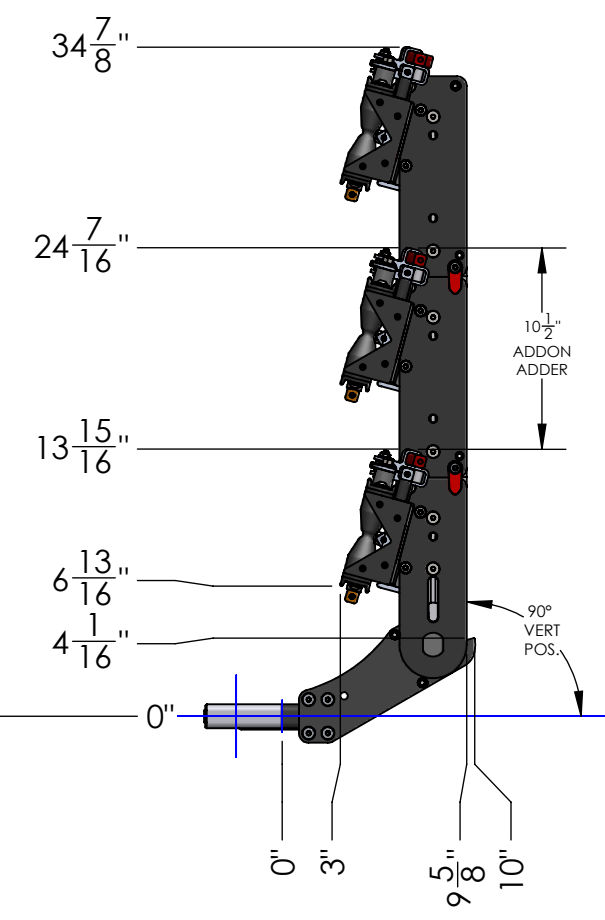
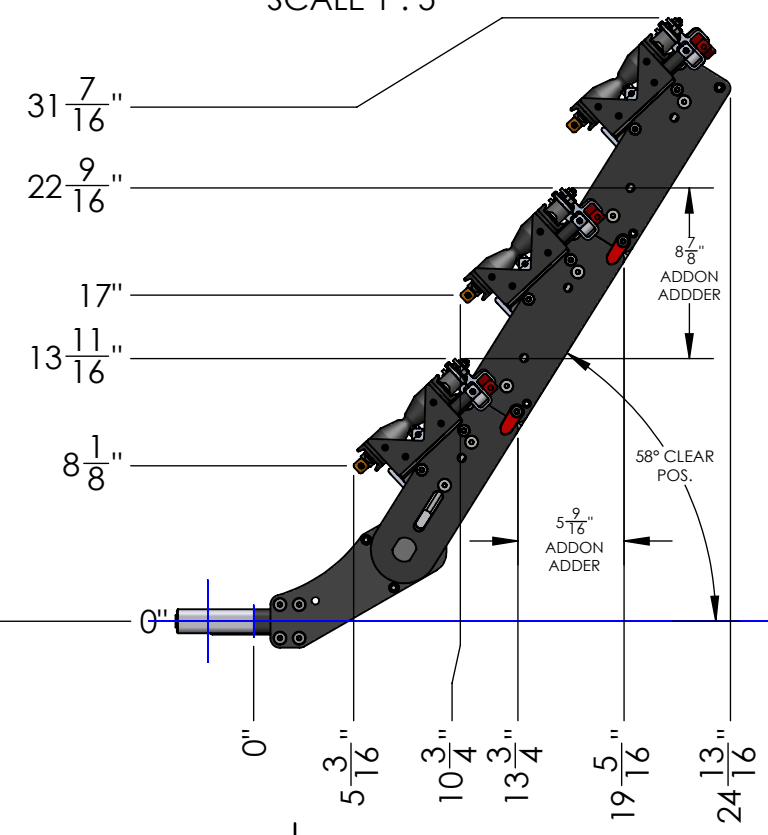
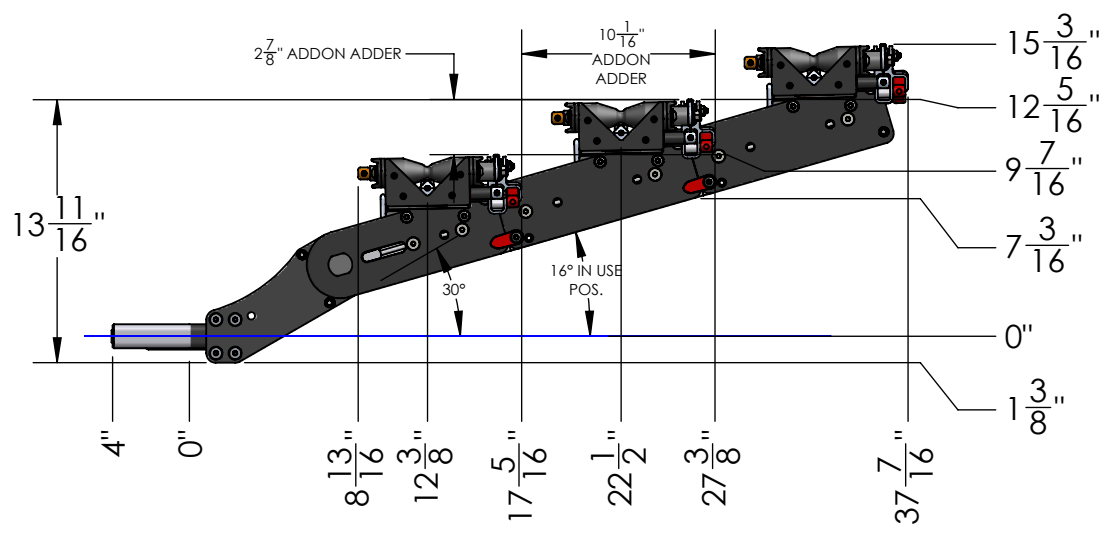


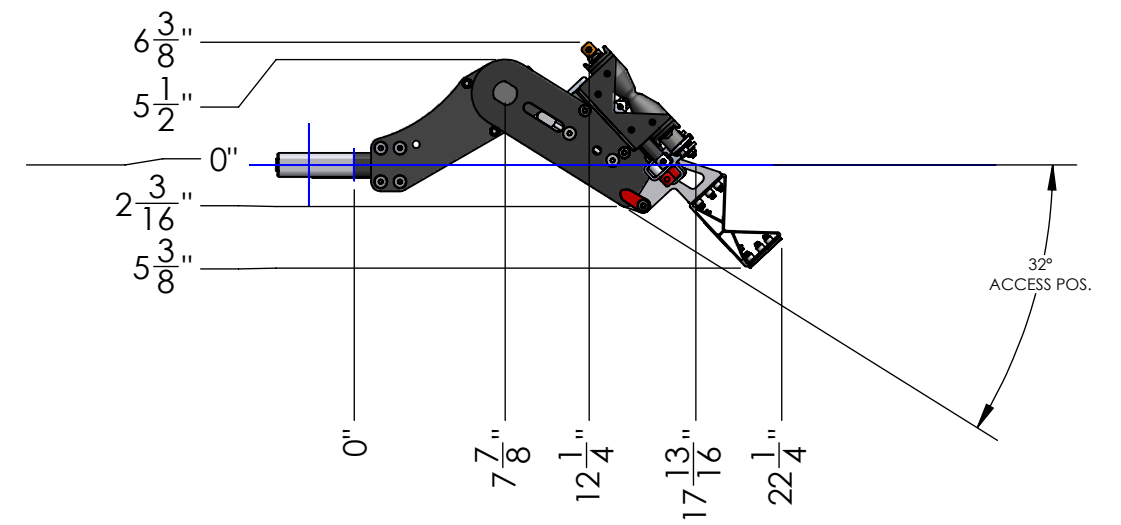
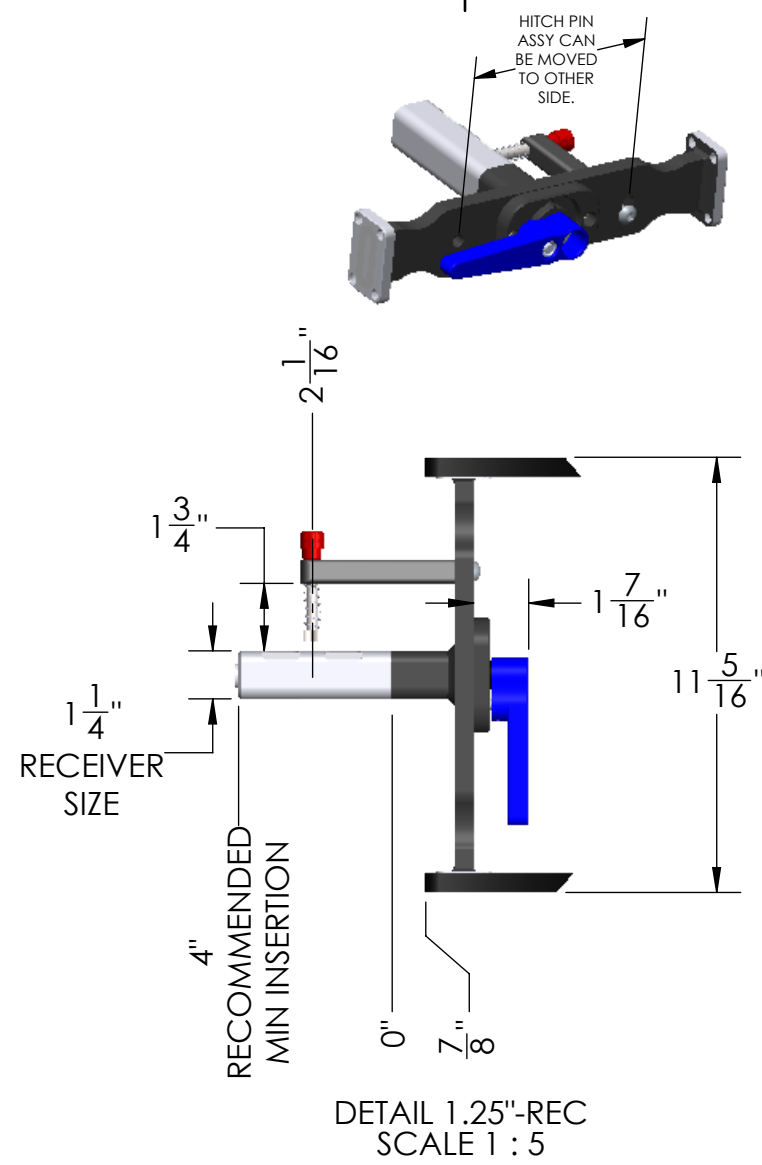
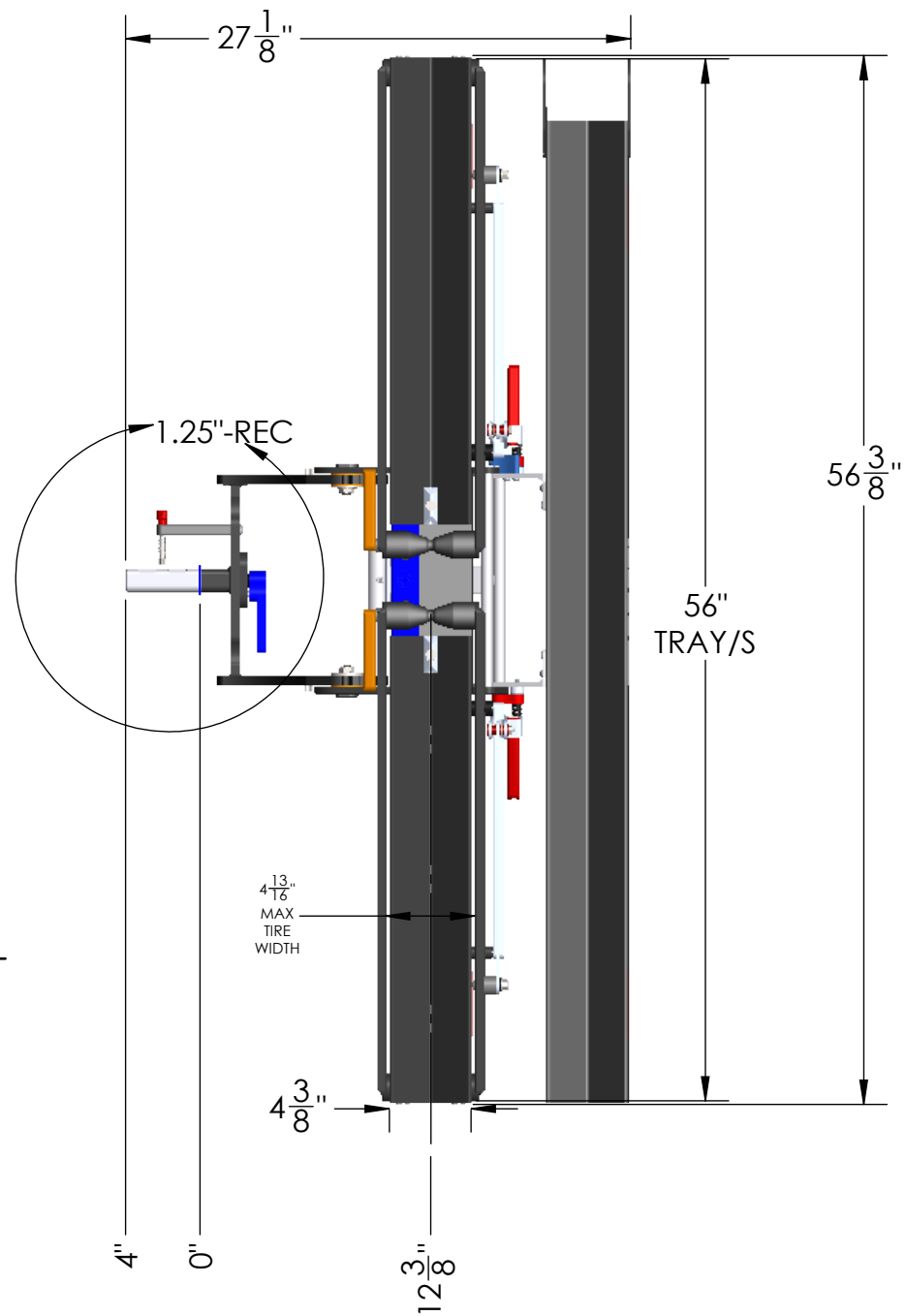
| MACH2 1.25" BASE + ADDON | |
|--------------------------|--------|
| WEIGHT | 54 LBS |





| MACH2 1.25" BASE + 2 ADDONS | |
|-----------------------------|--------|
| WEIGHT | 77 LBS |

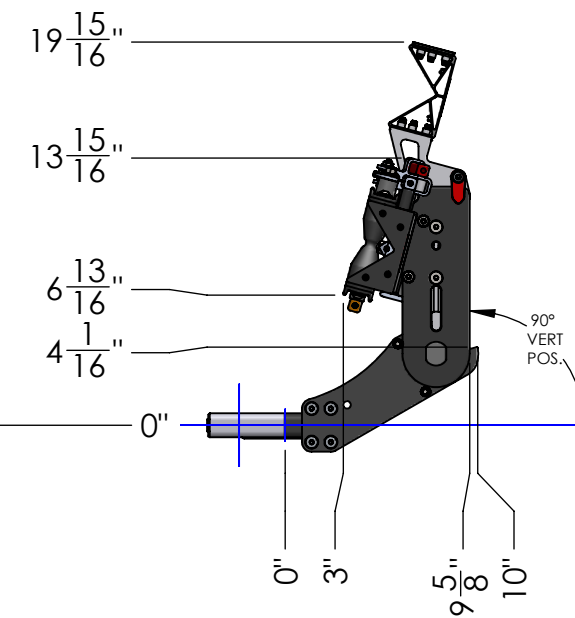
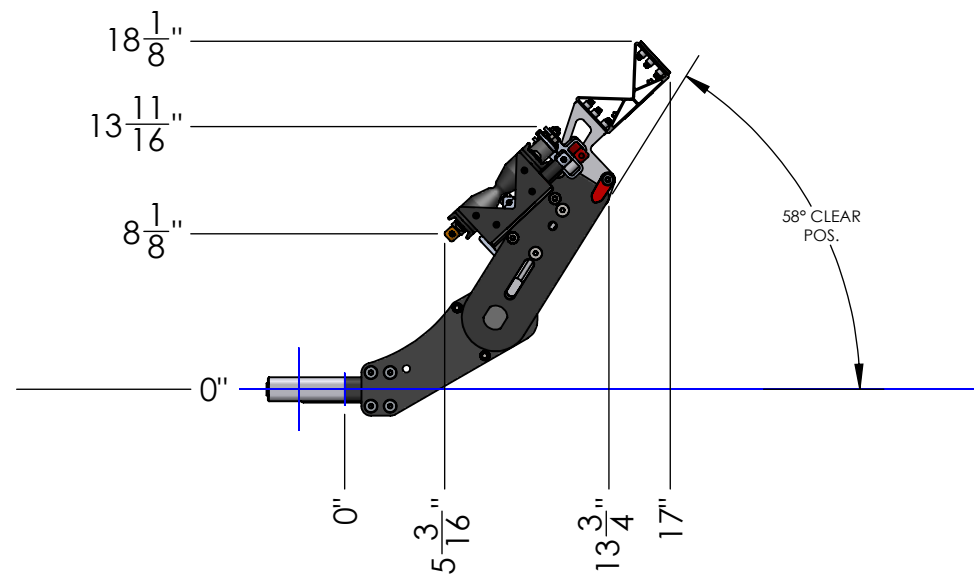
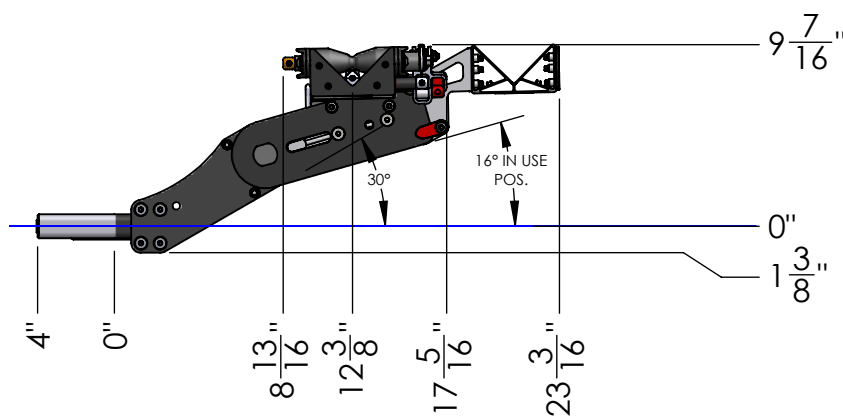


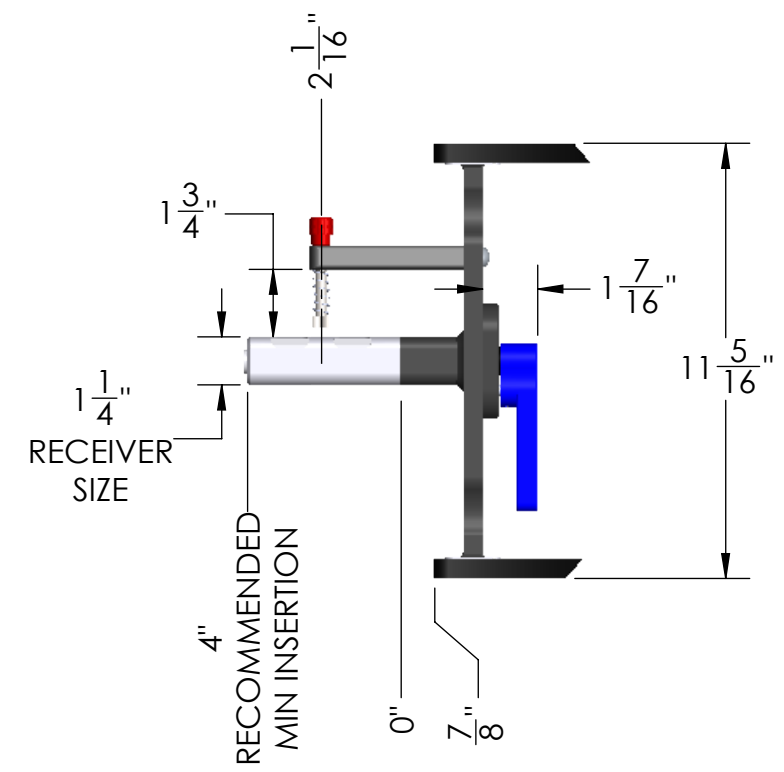
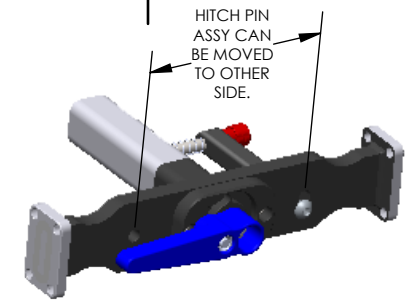
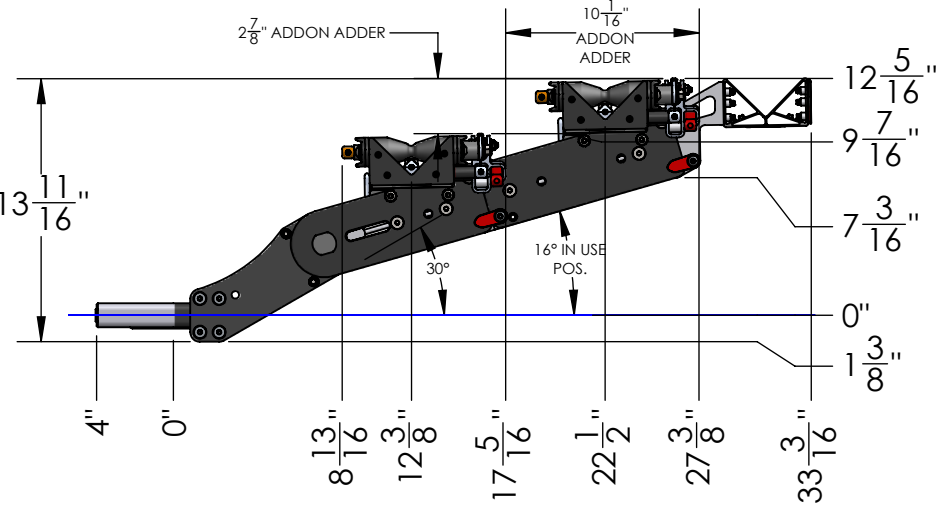
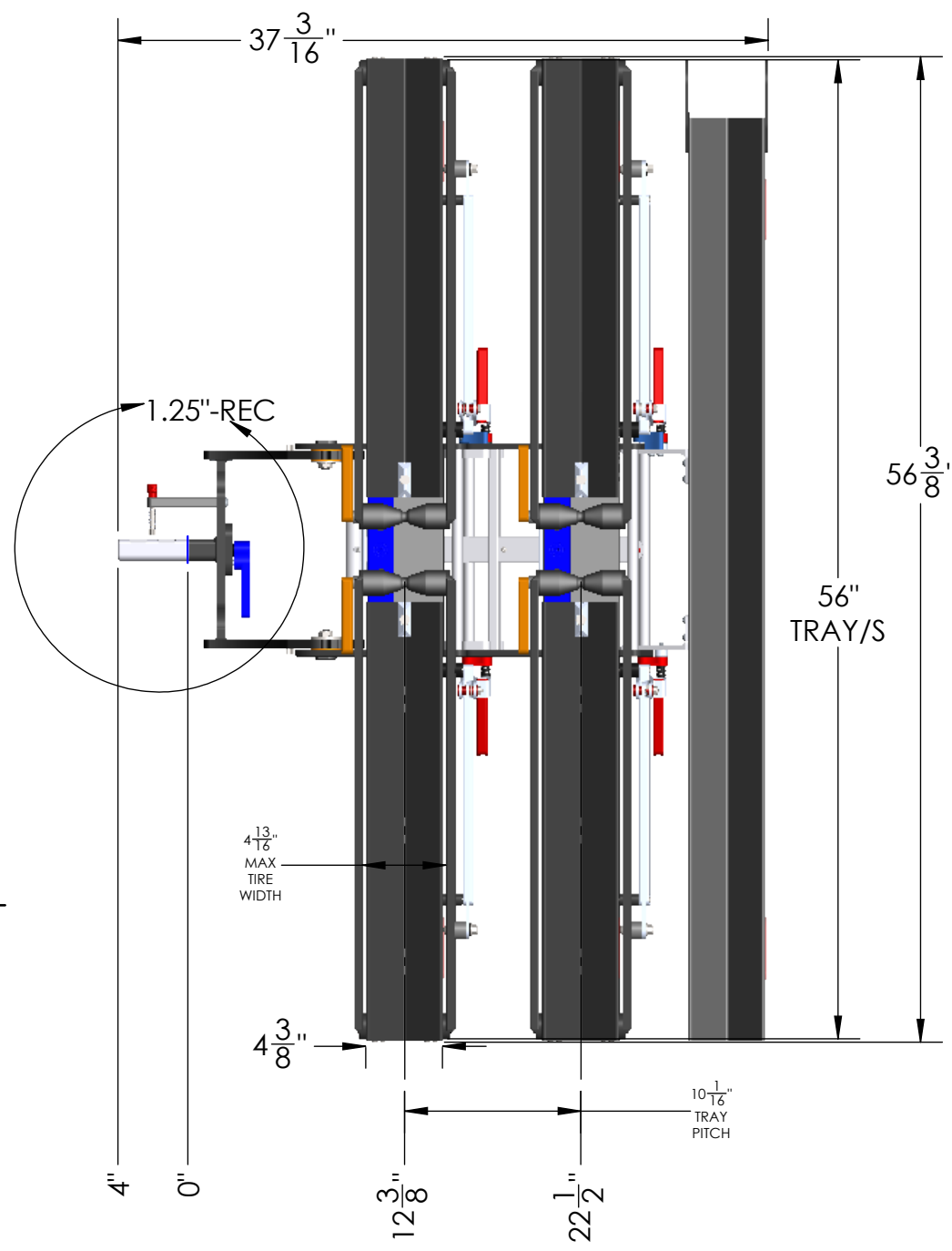


MACH2 1.25" BASE +RAMP

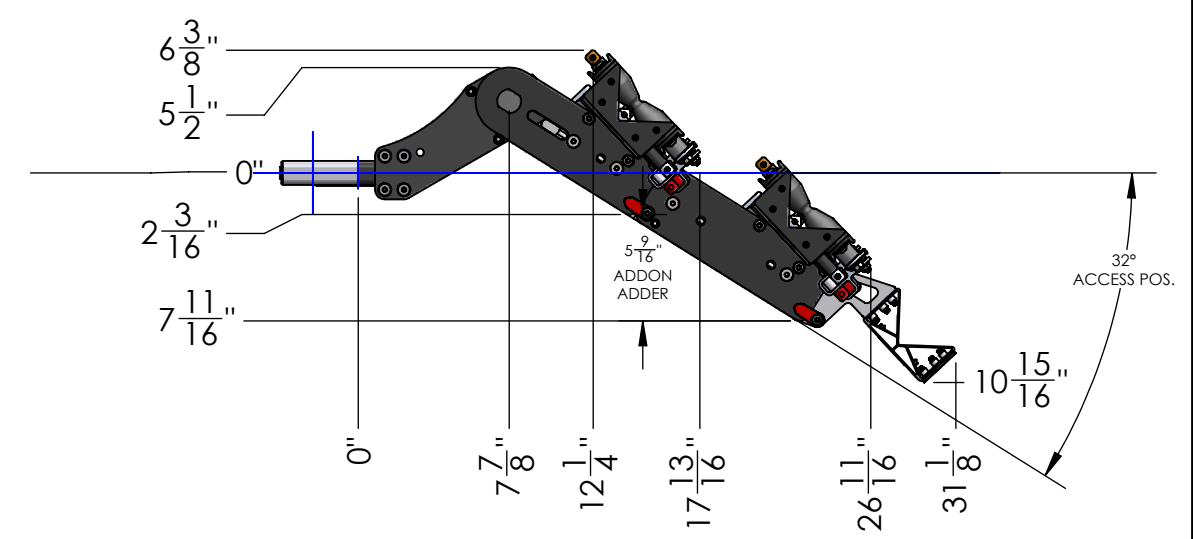
WEIGHT

42 LBS

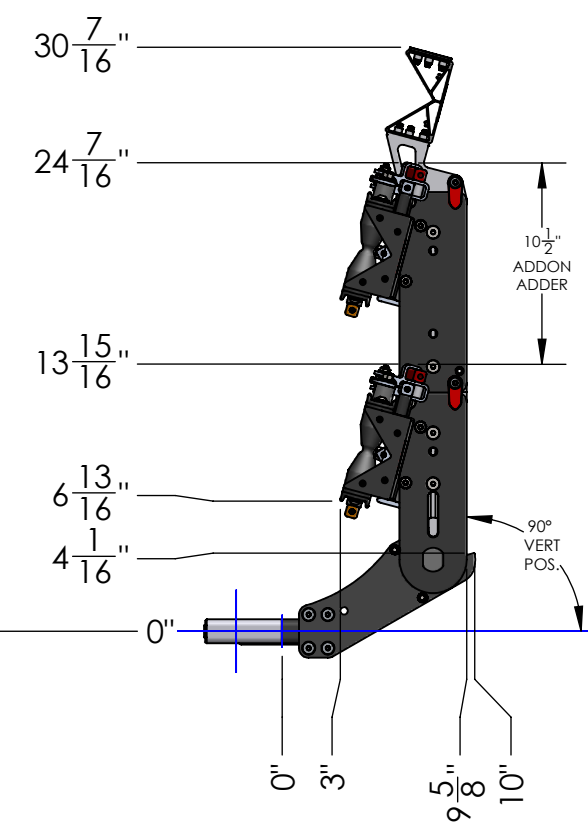
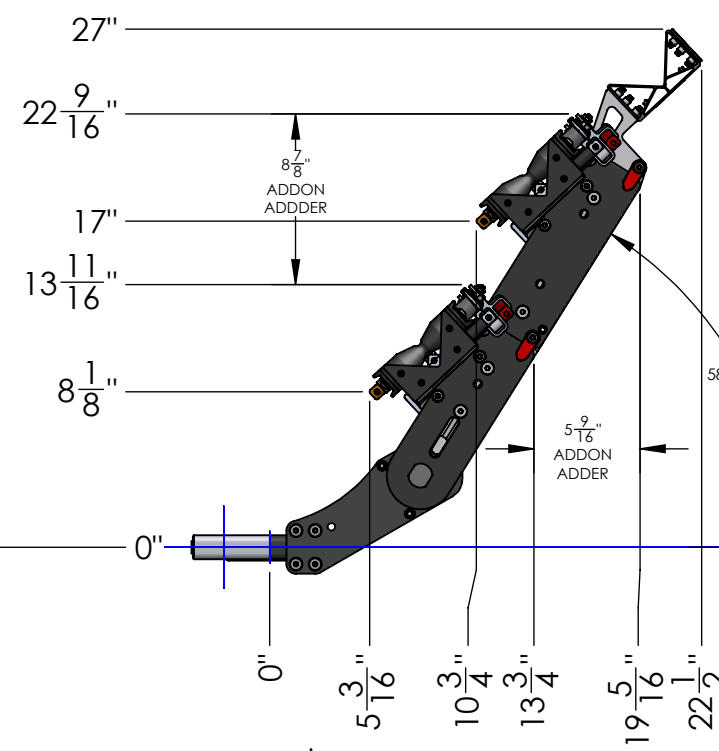


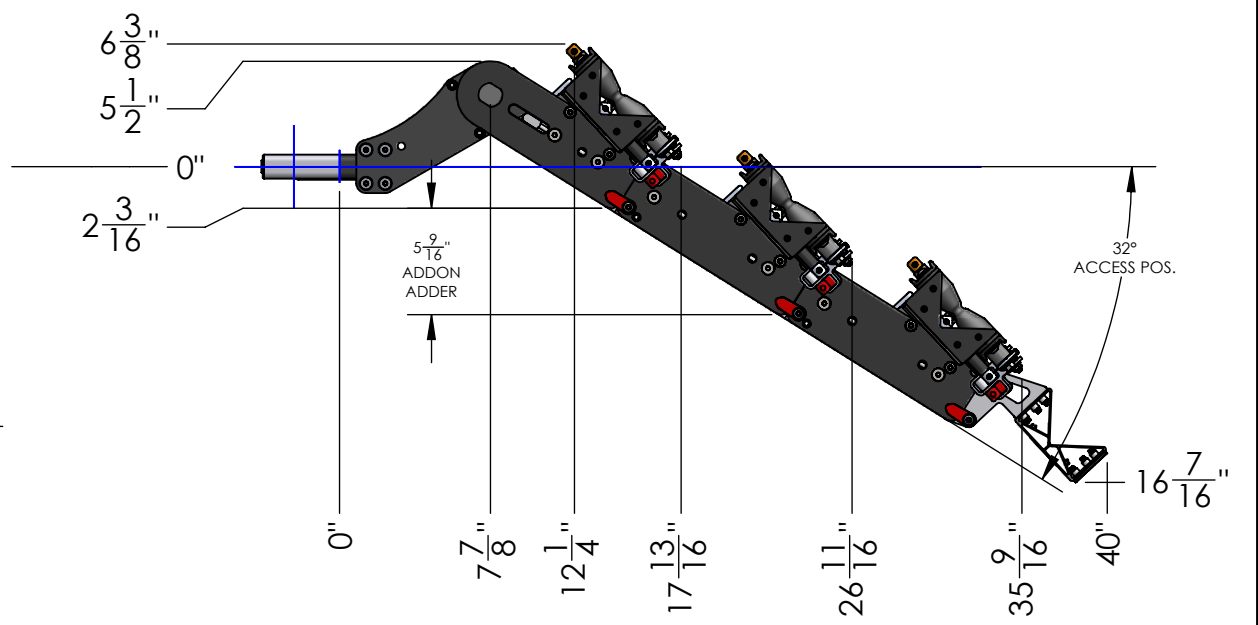
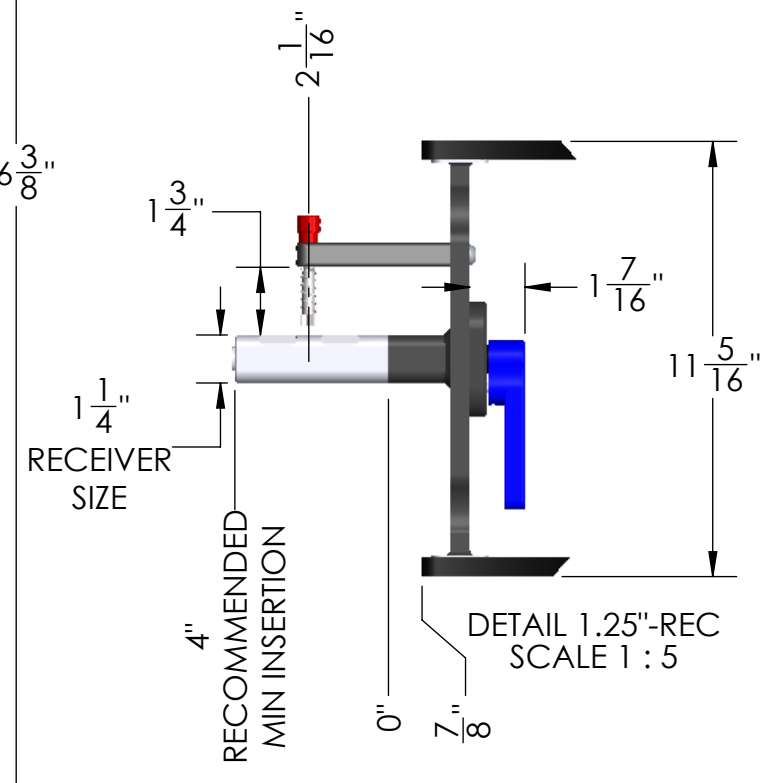
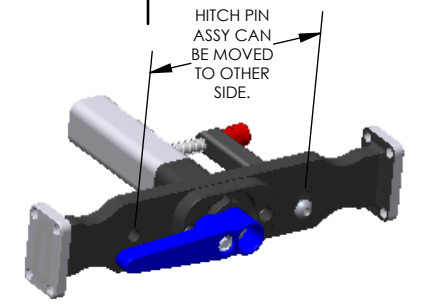
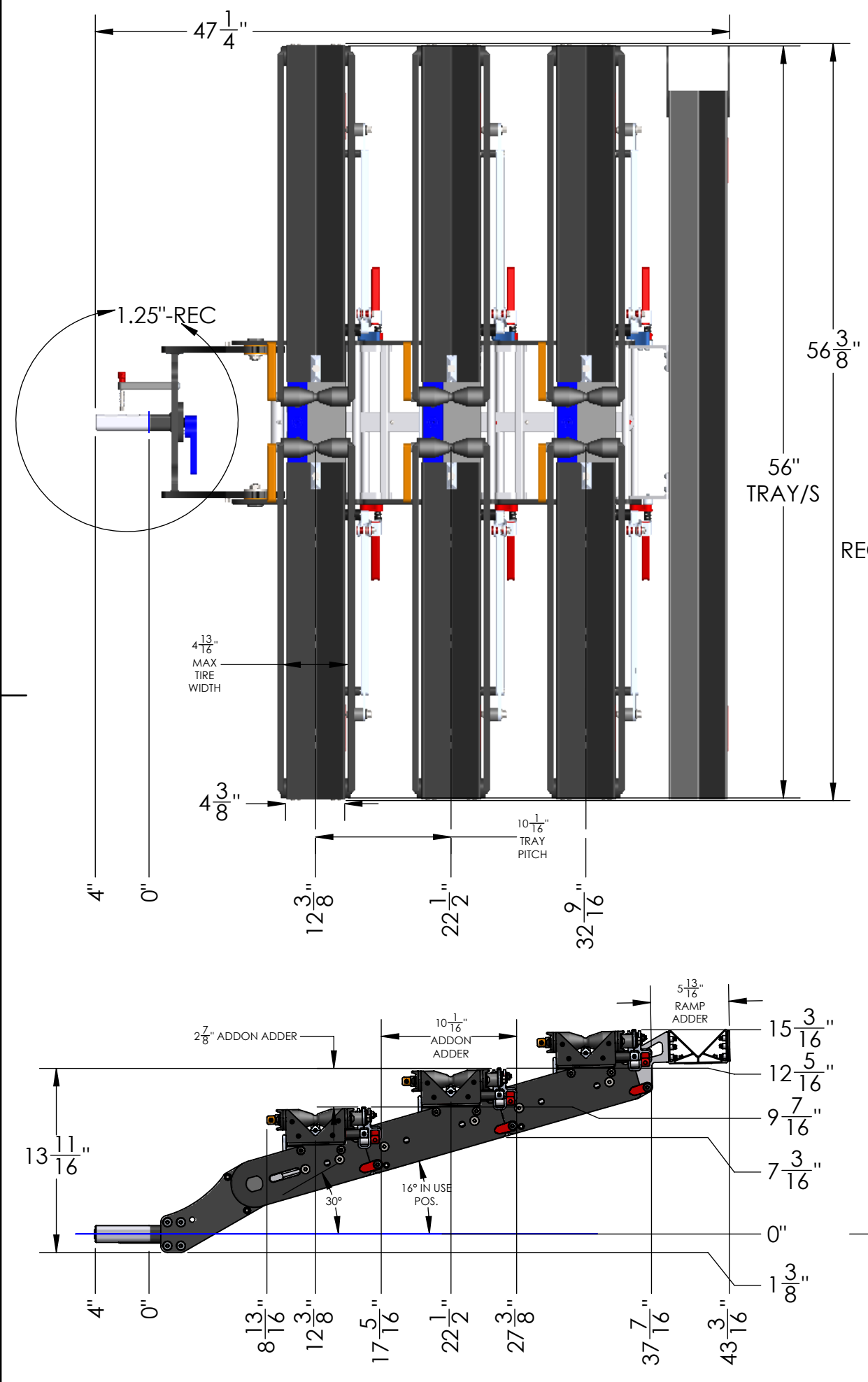


DETAIL 1.25"-REC
SCALE 1 : 5



| MACH2 1.25" BASE + ADDON + RAMP | |
|---------------------------------|----|
| WEIGHT | 65 |





| | |
|--|----|
| MACH2 1.25" BASE + 2 ADDONS +RAMP | |
| WEIGHT | 87 |

