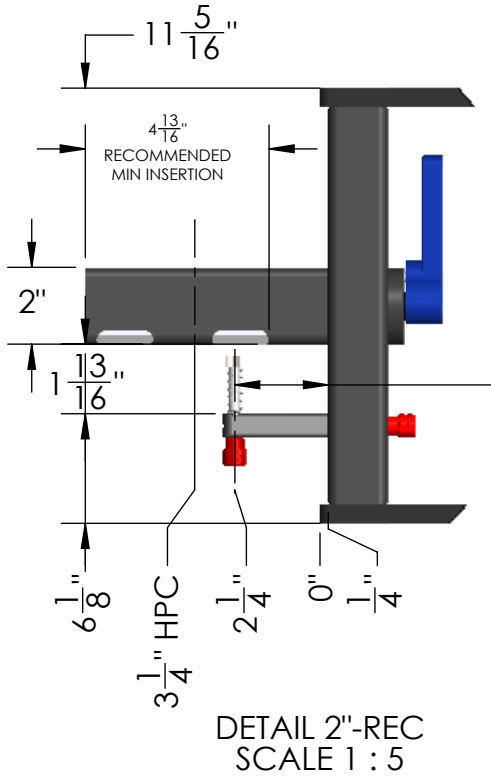
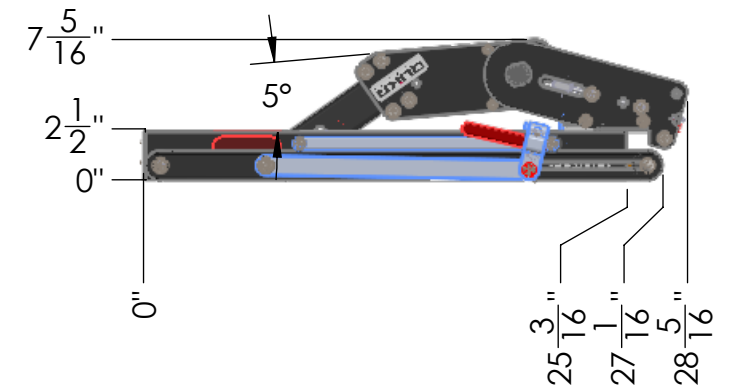
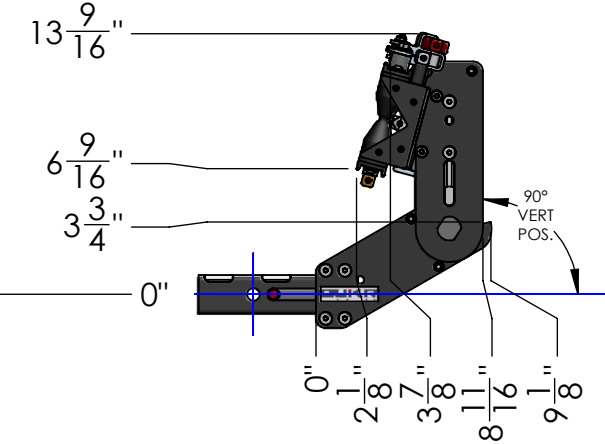
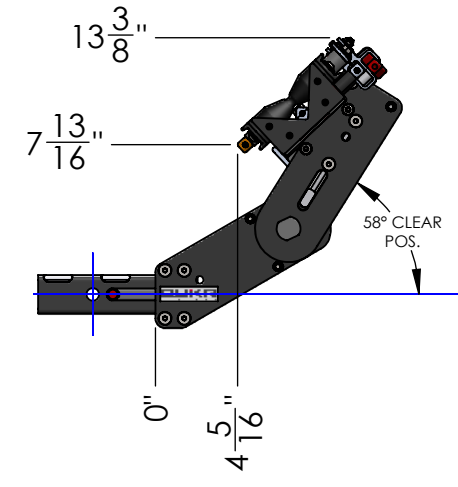
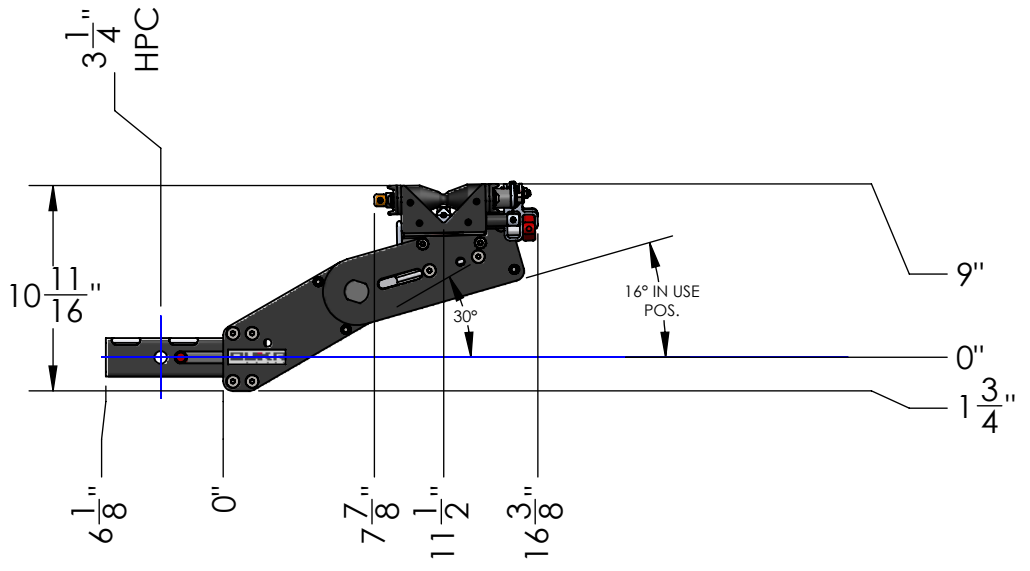
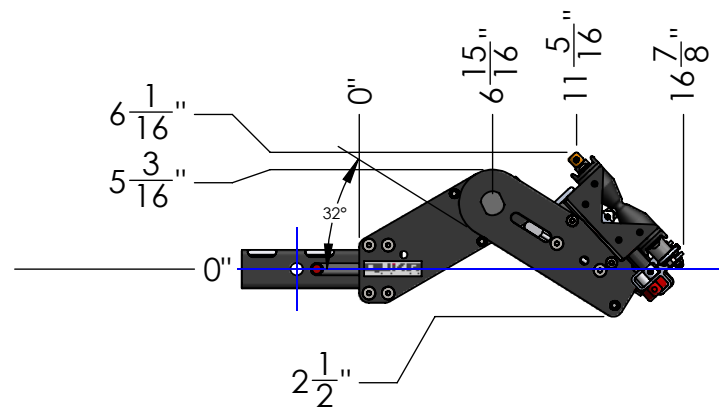


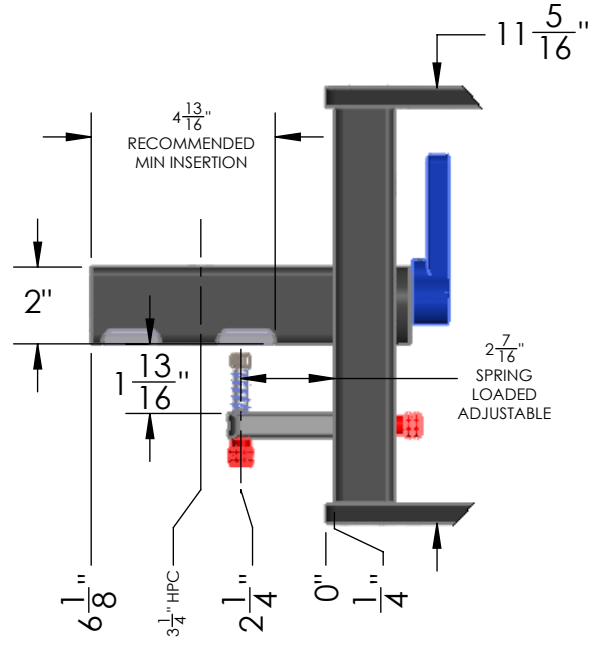
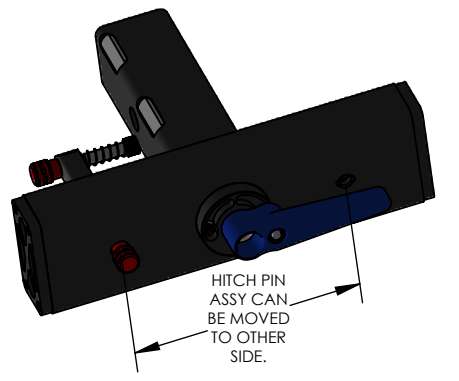
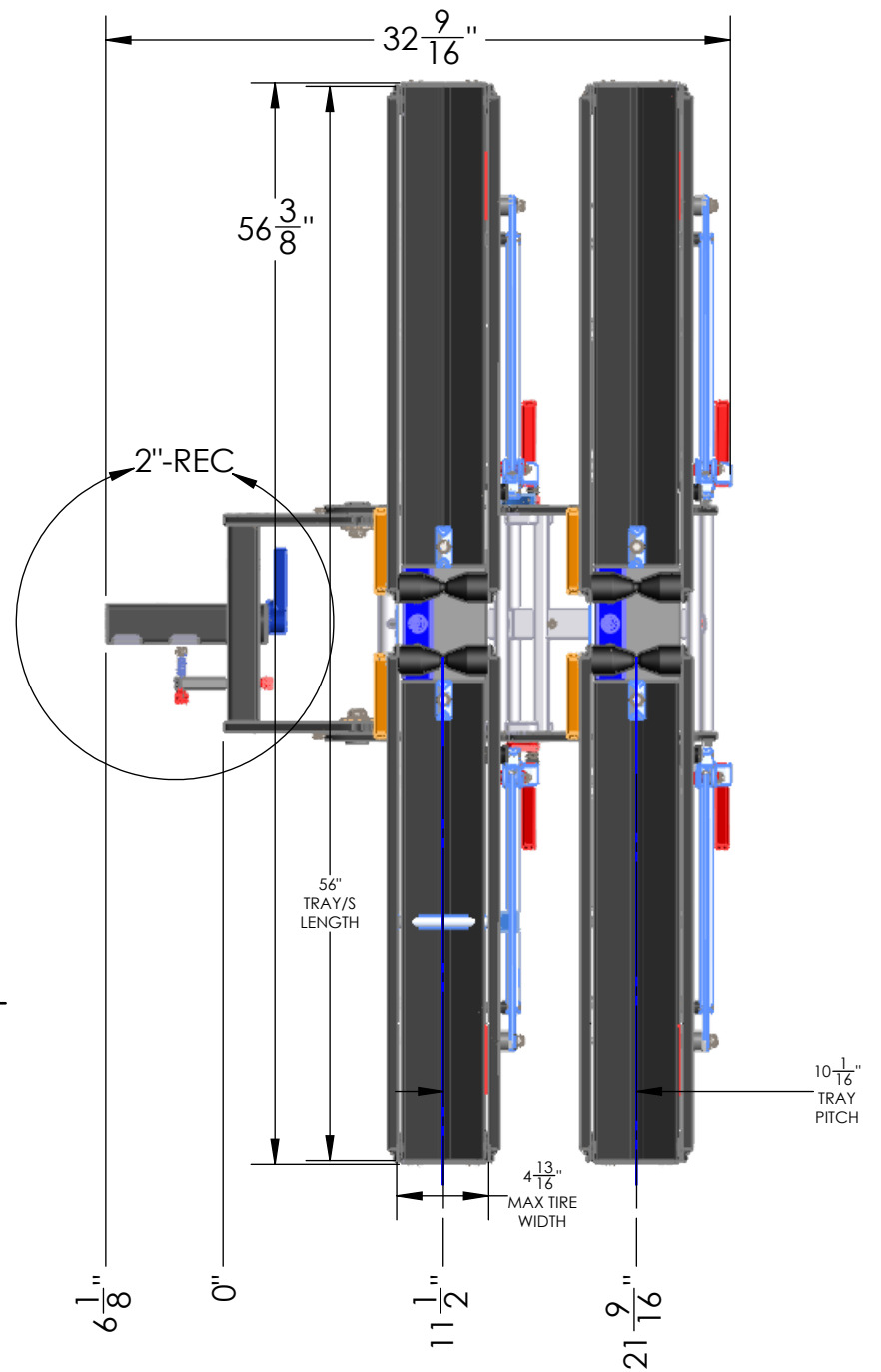
MACH2 BASE ASSEMBLY

WEIGHT	30.78 LBS
BOX DIMENSIONS	31" x 19" x 9"
SHIPPING WEIGHT	35.19 LBS

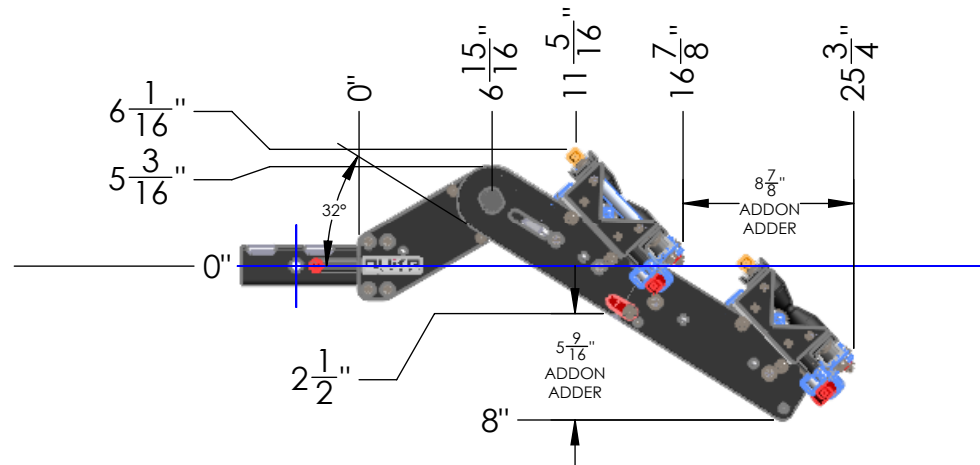


2 $\frac{7}{16}$ "
SPRING LOADED
ADJUSTABLE

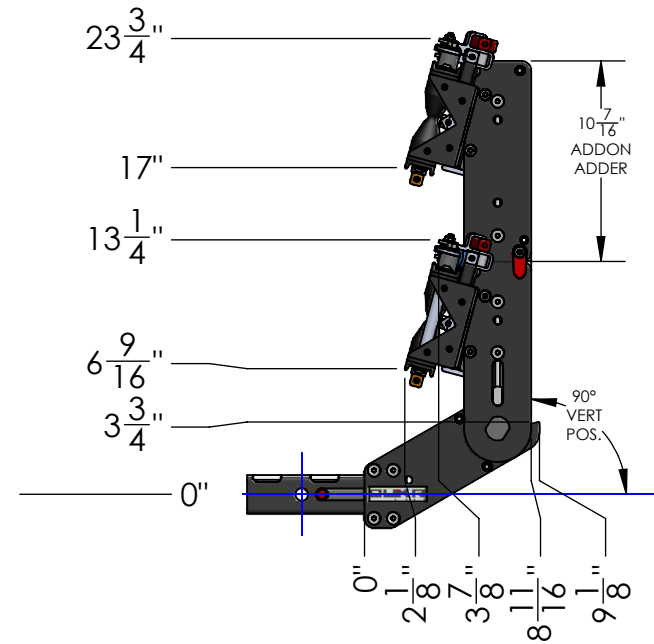
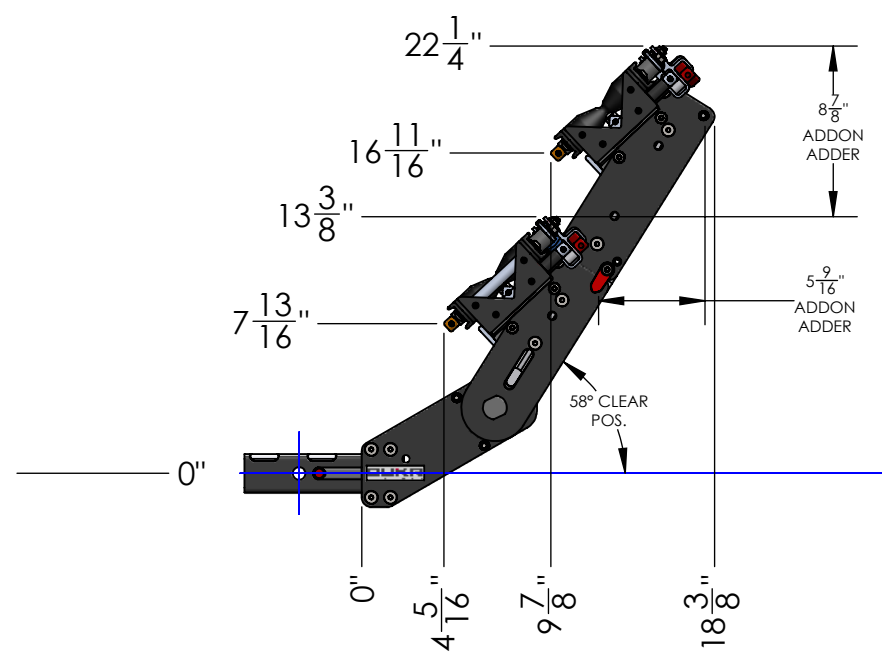
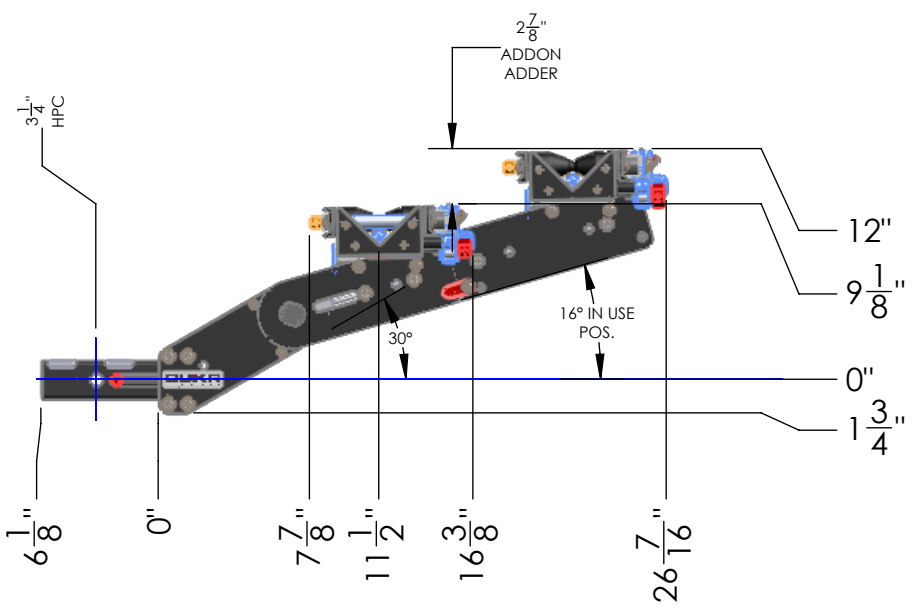


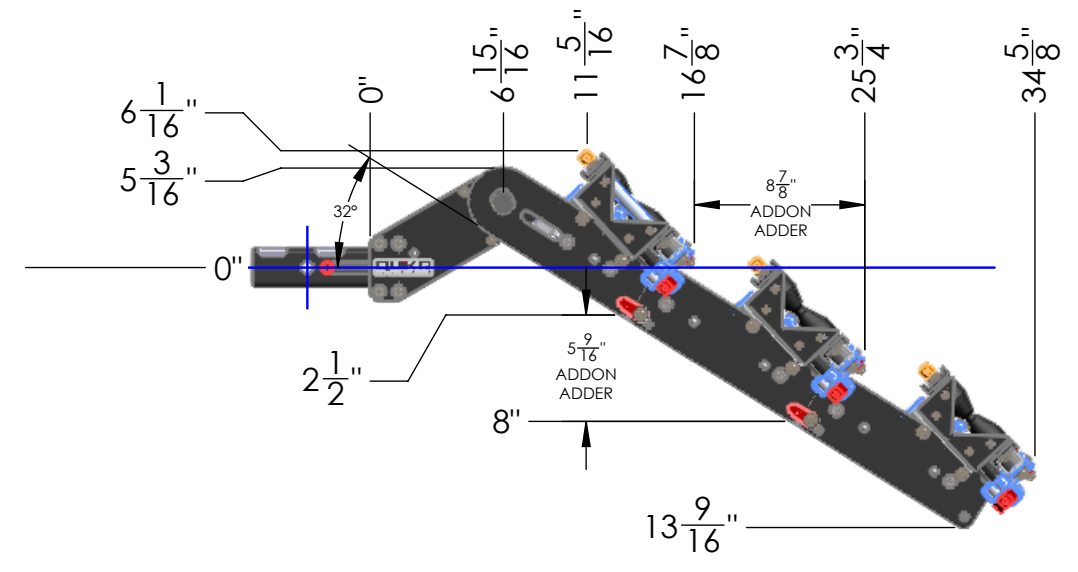
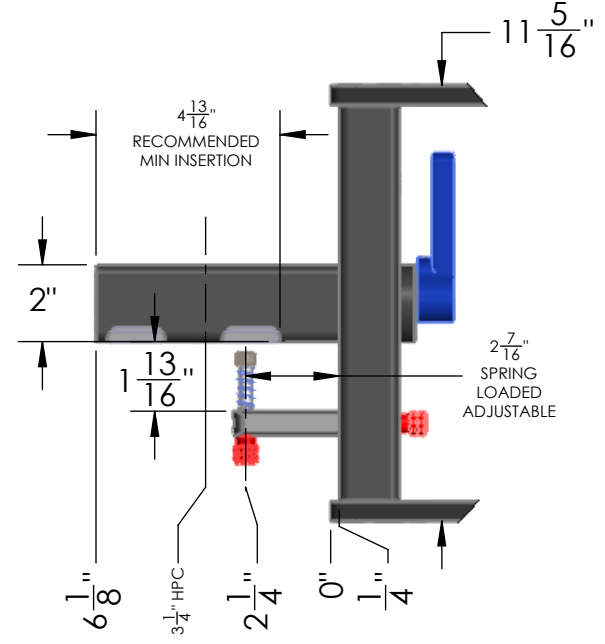
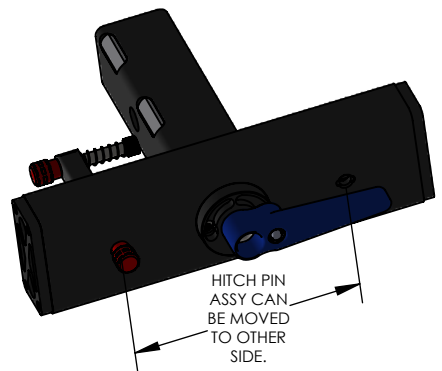
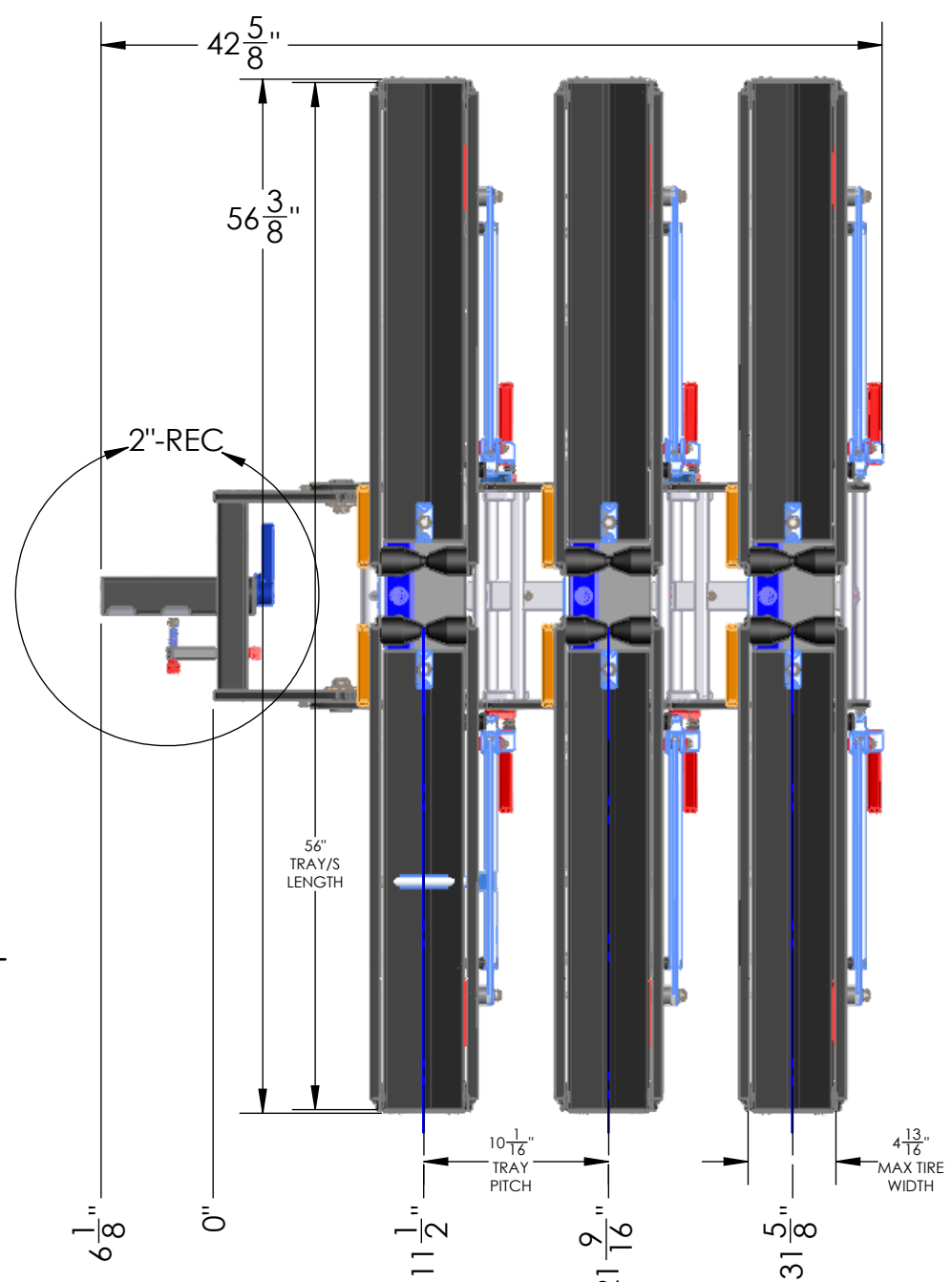


DETAIL 2"-REC SCALE 1 : 5

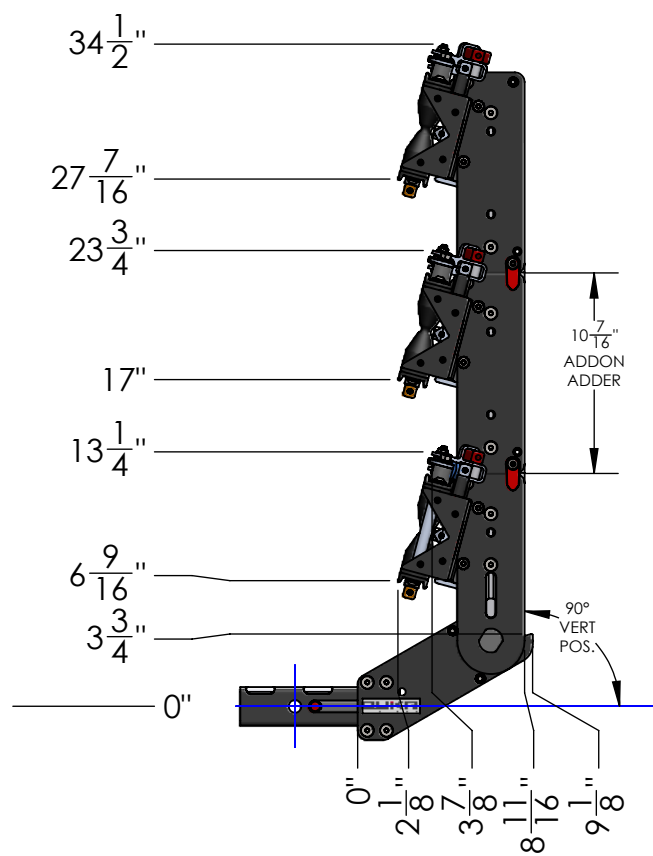
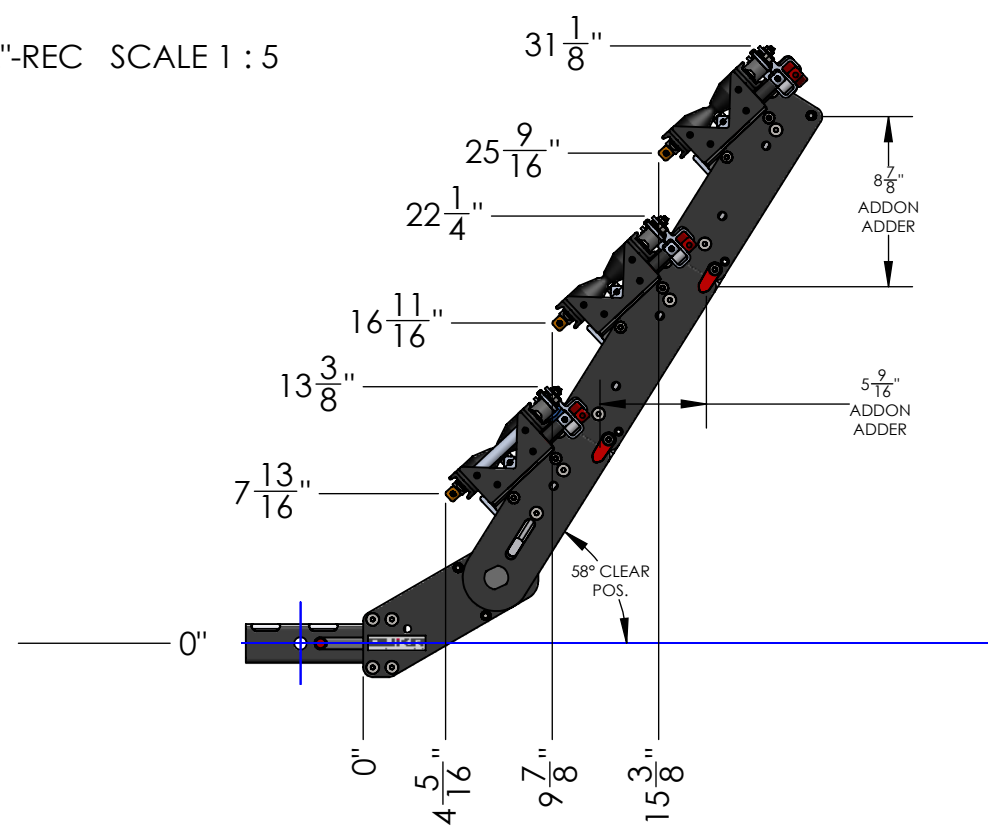
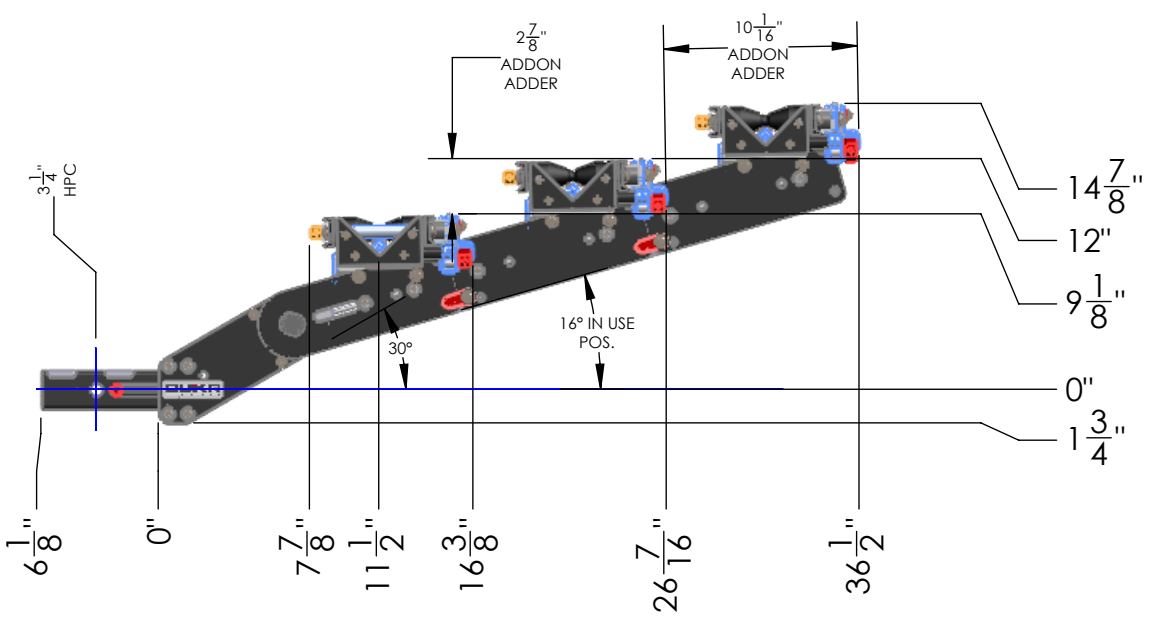


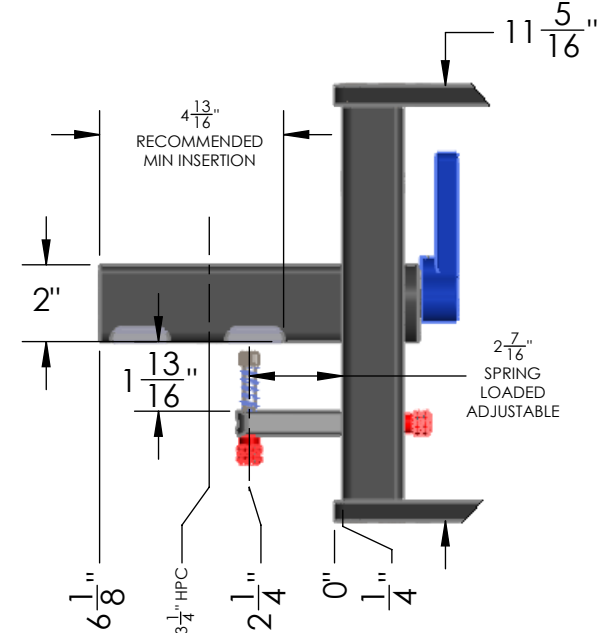
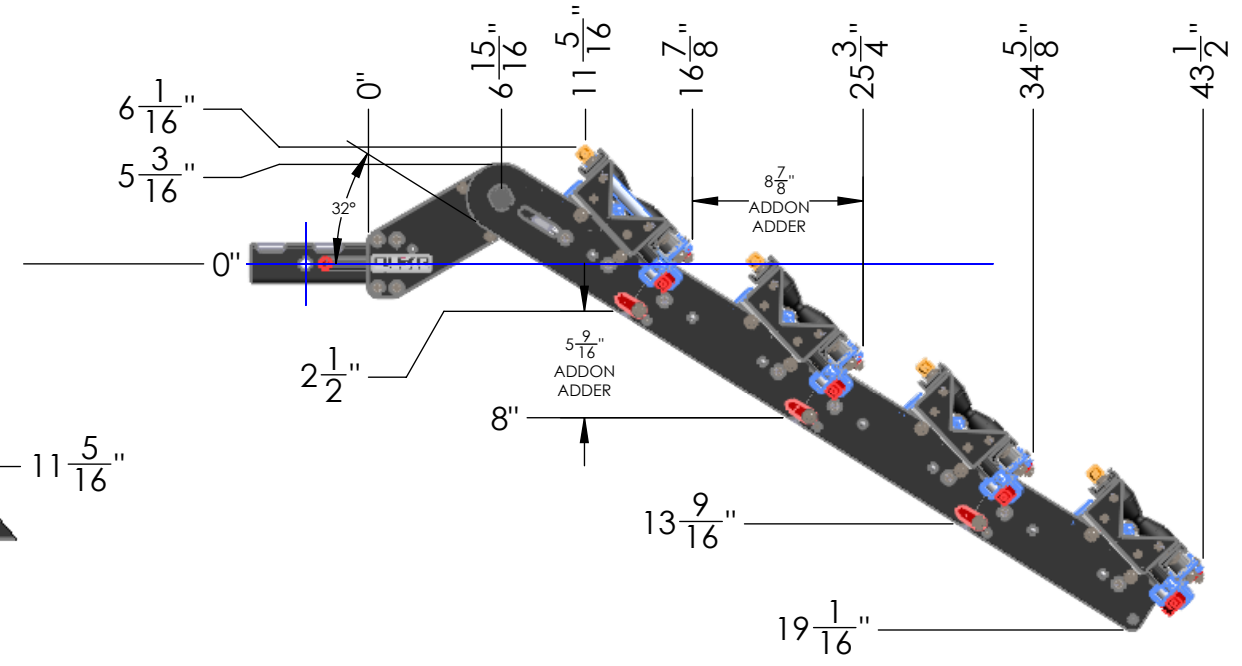
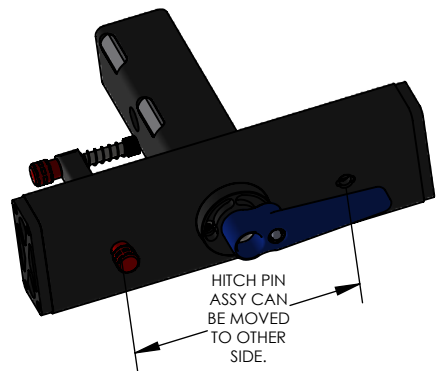
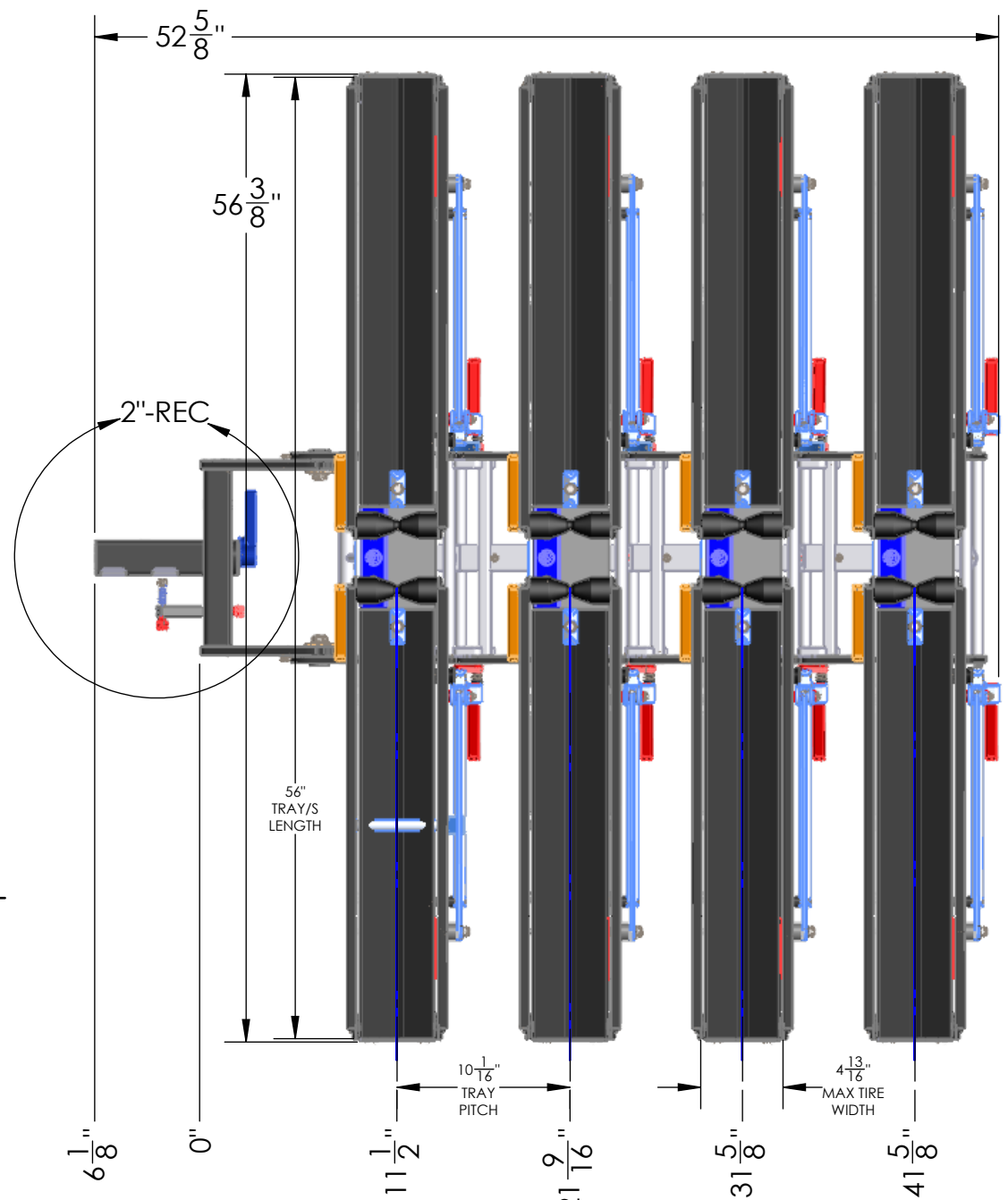
MACH2 BASE + ADDON	
WEIGHT	53.58 LBS



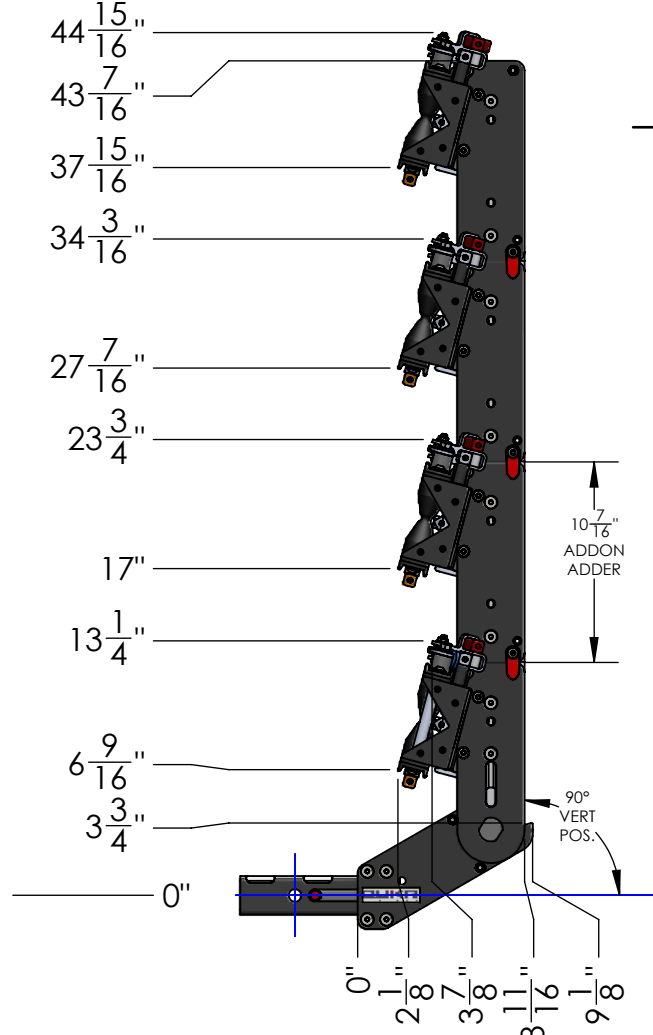
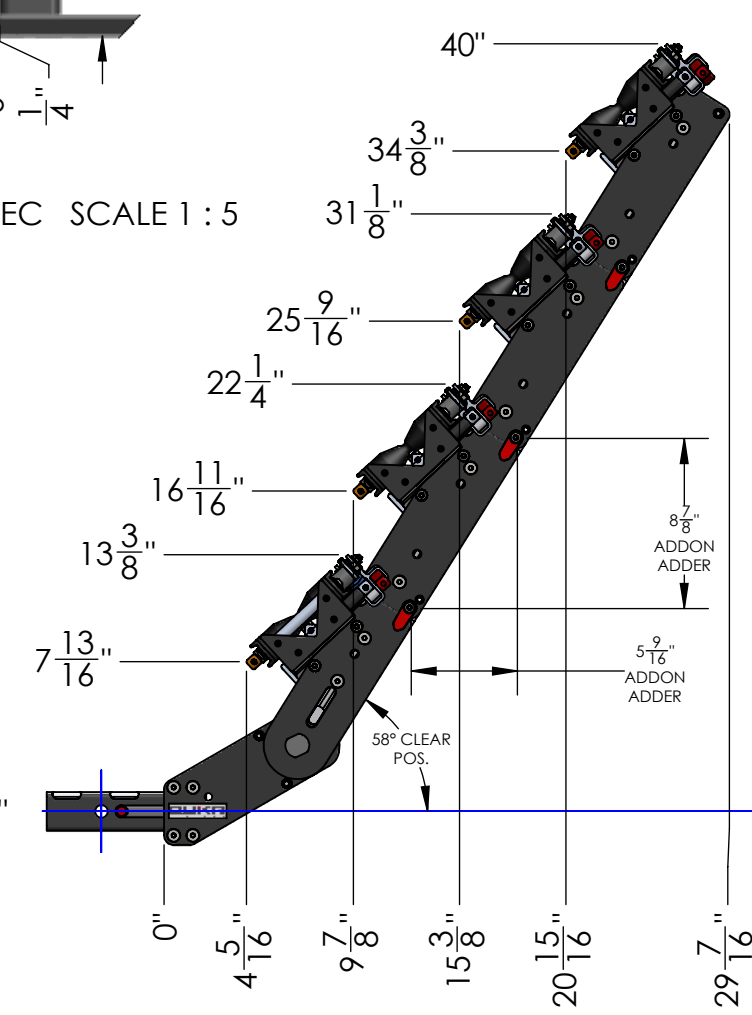
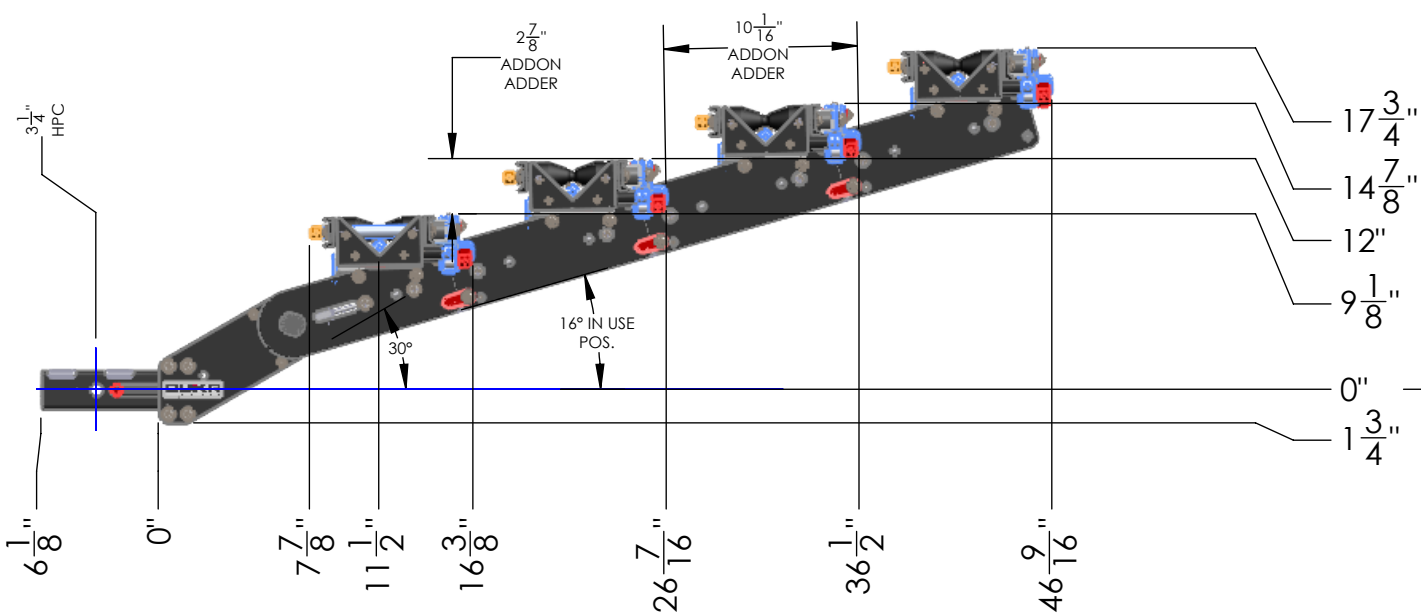


MACH2 BASE + 2 ADDONS	
WEIGHT	76.38 LBS

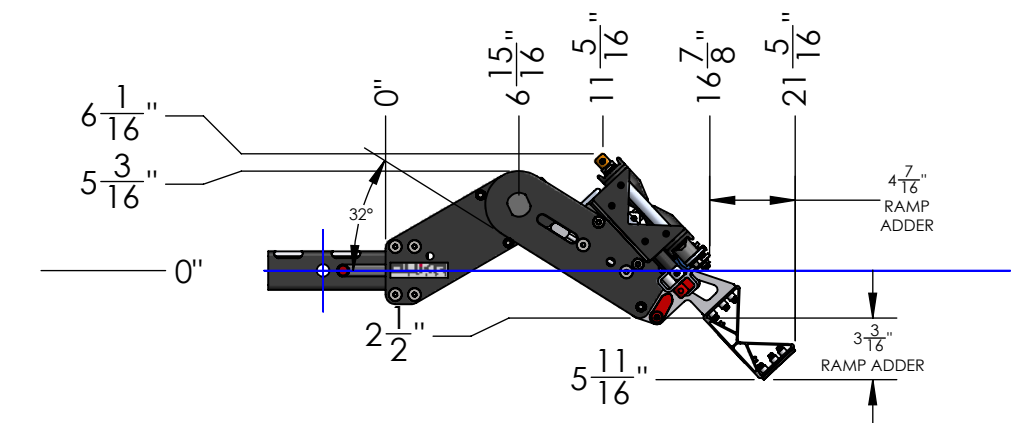
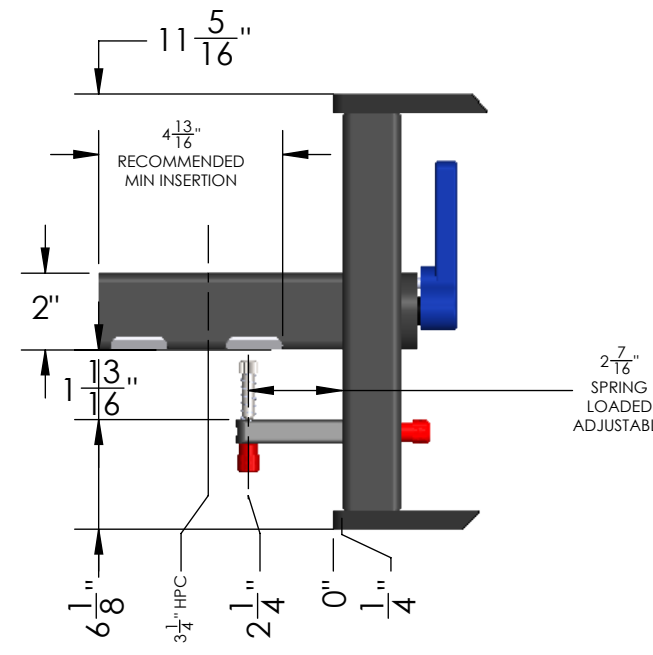
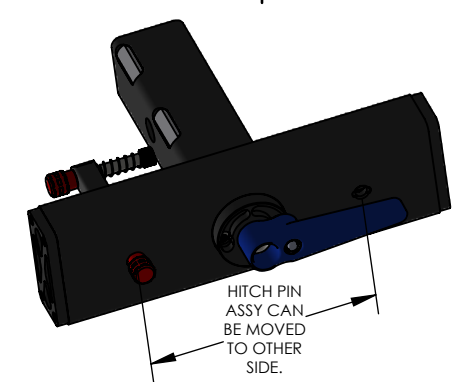
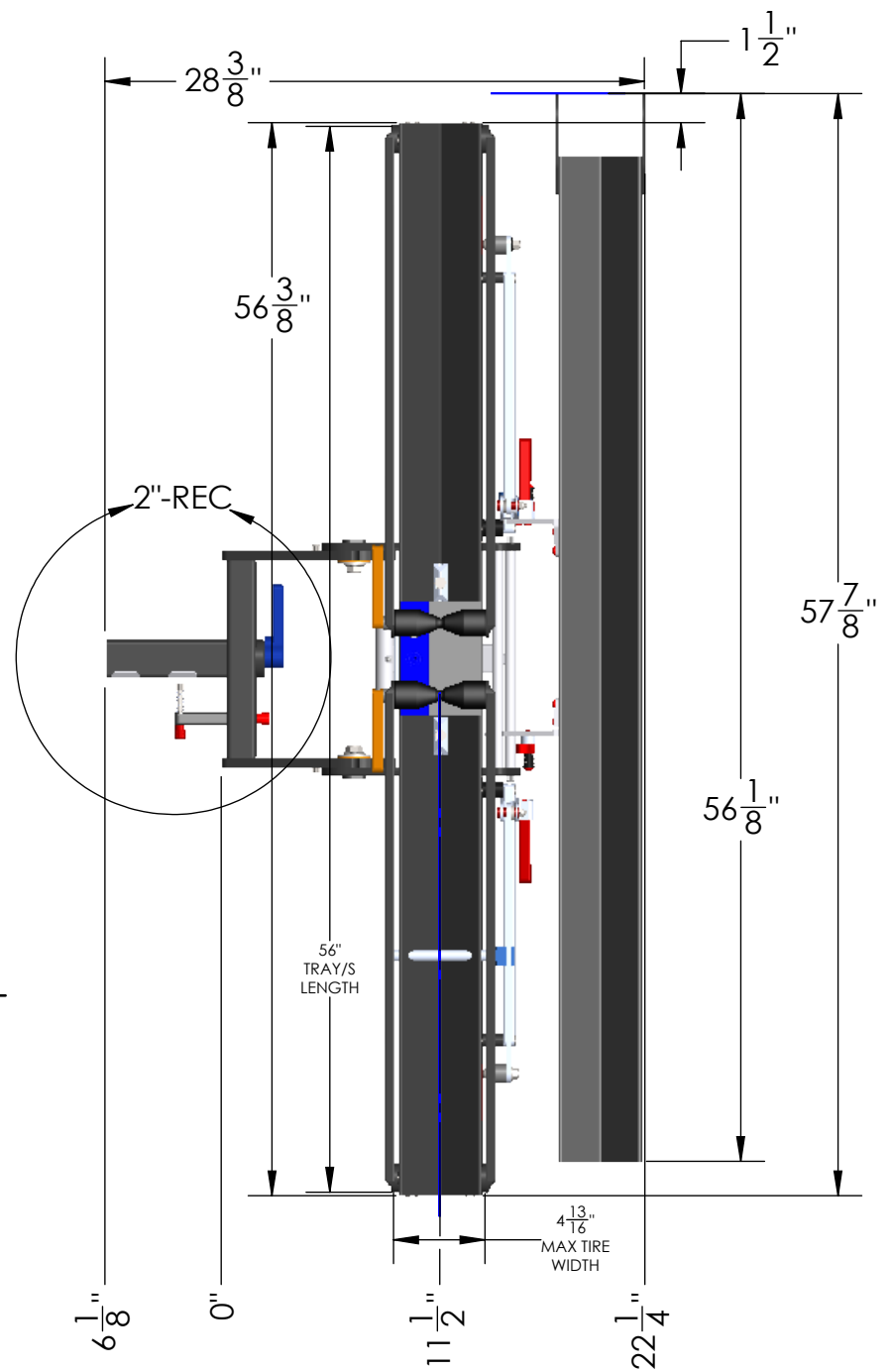




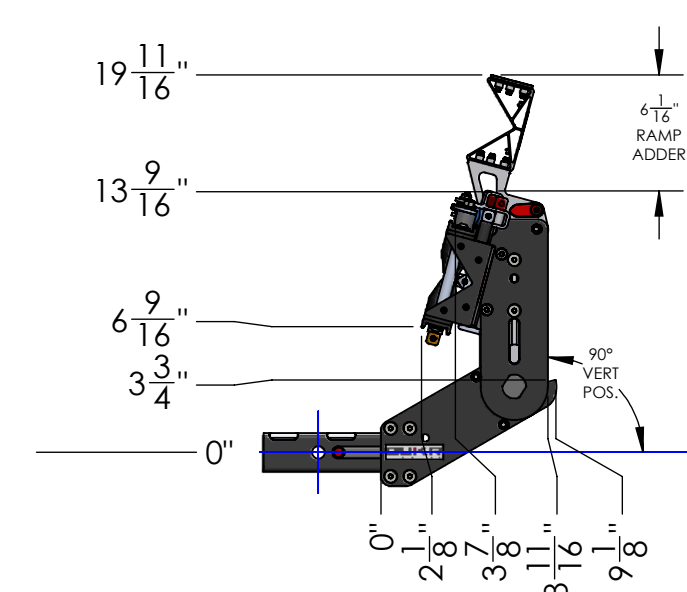
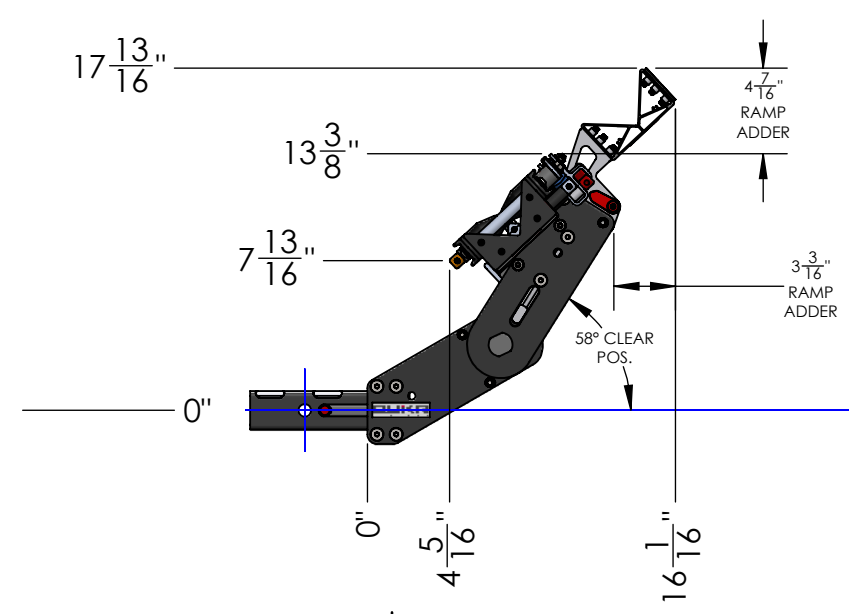
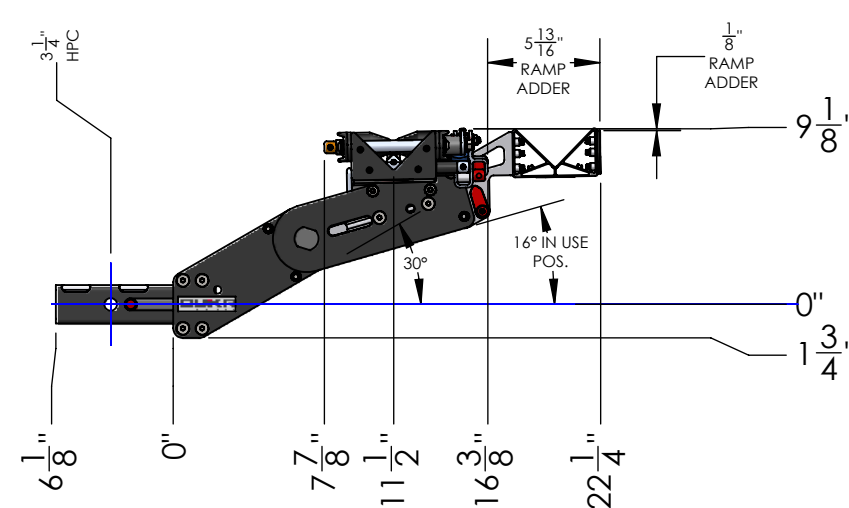
MACH2 BASE + 3 ADDONS	
WEIGHT	99.18 LBS

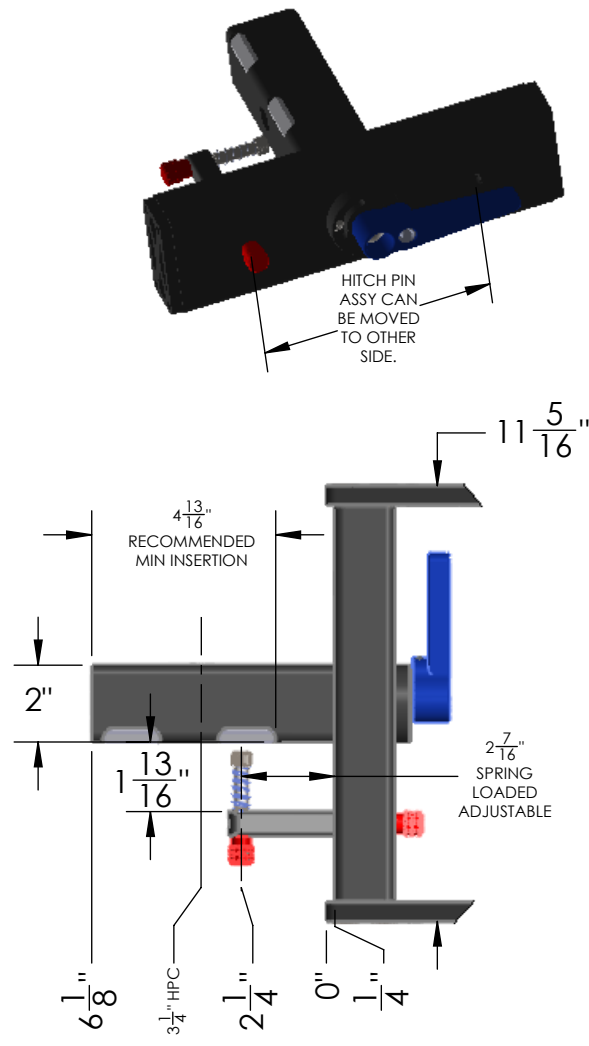
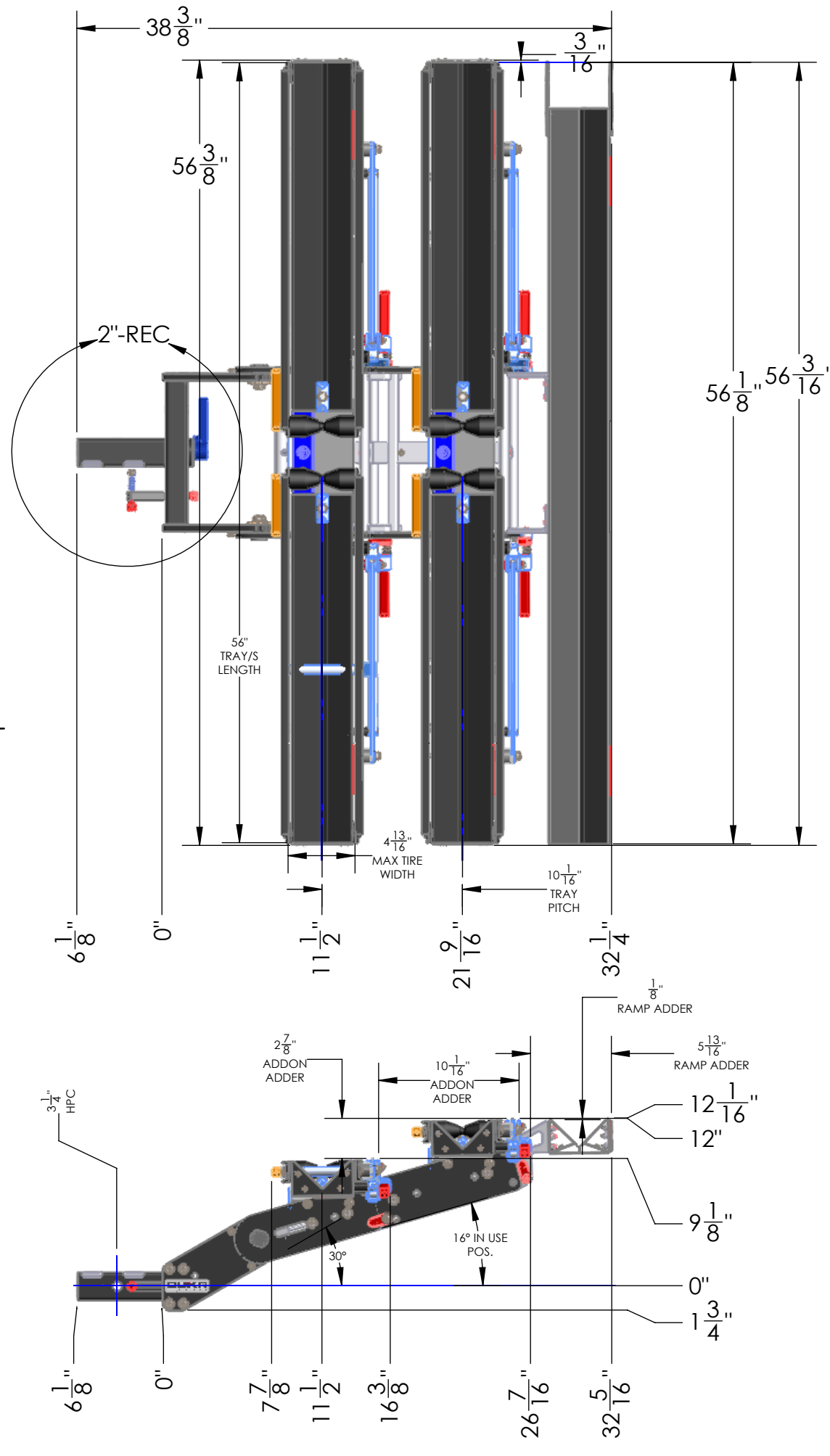


DETAIL 2"-REC SCALE 1 : 5



MACH2 BASE + RAMP	
WEIGHT	40.5 LBS

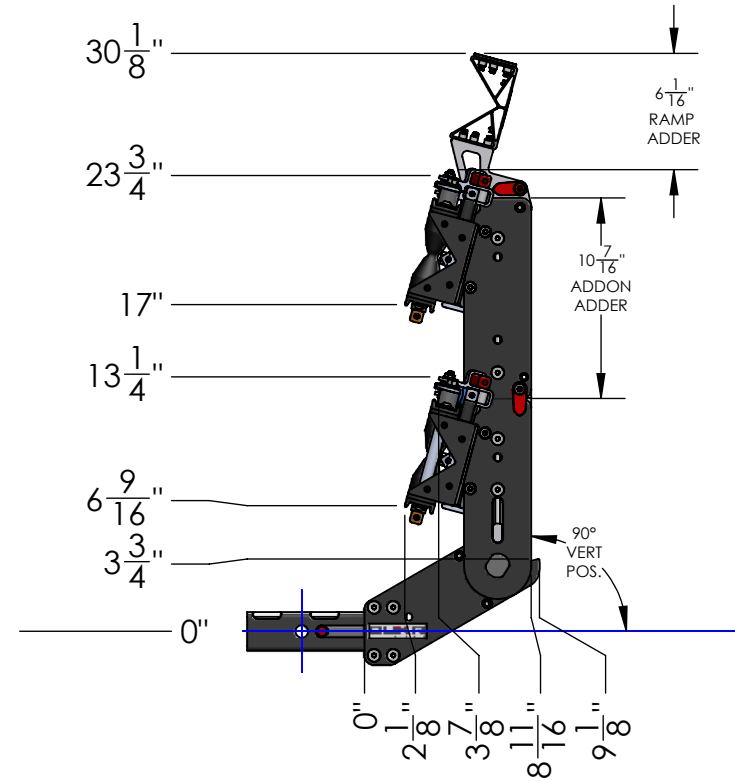
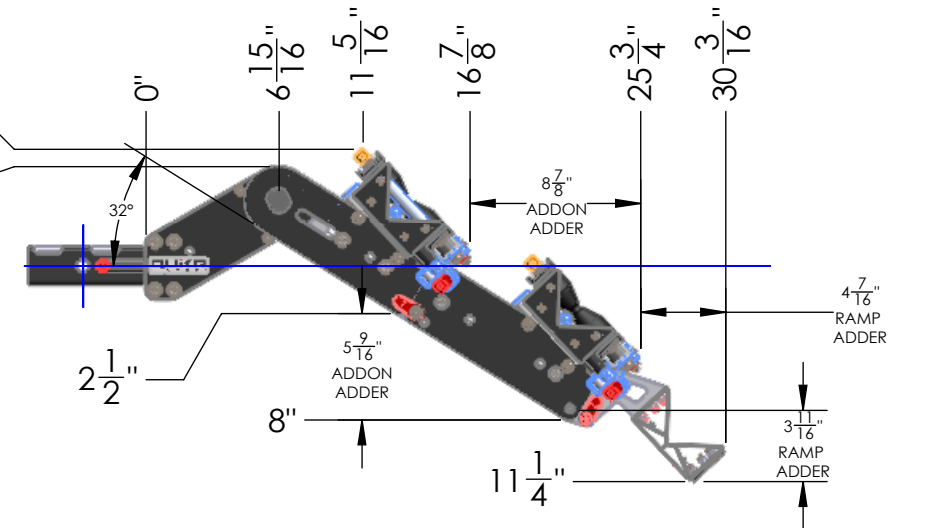
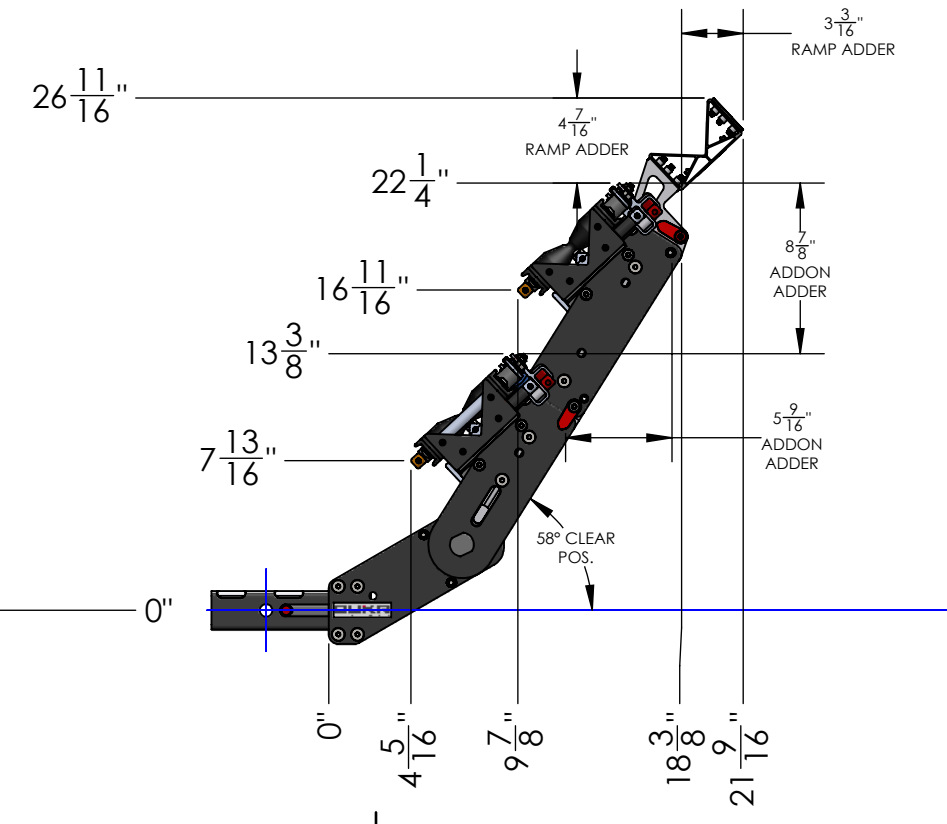


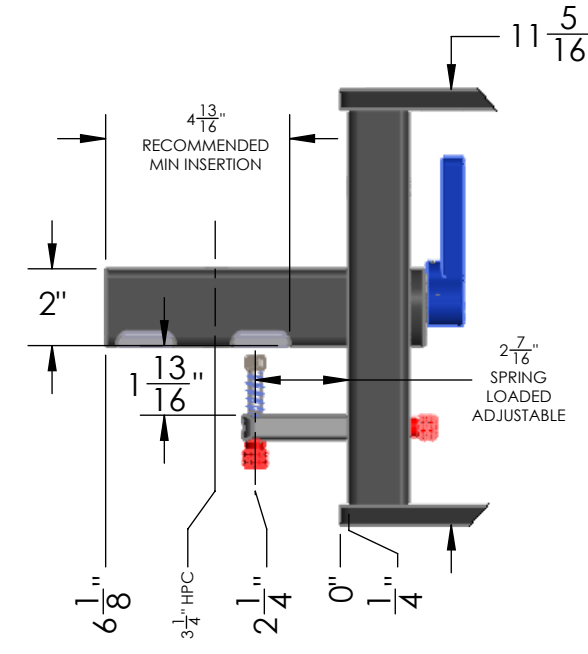
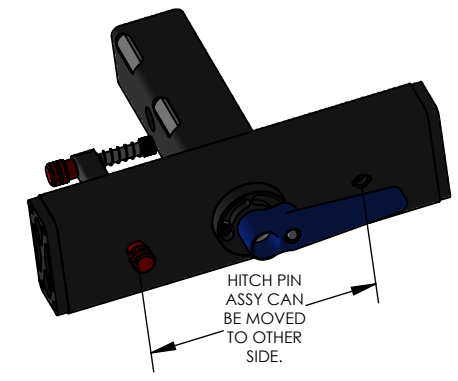
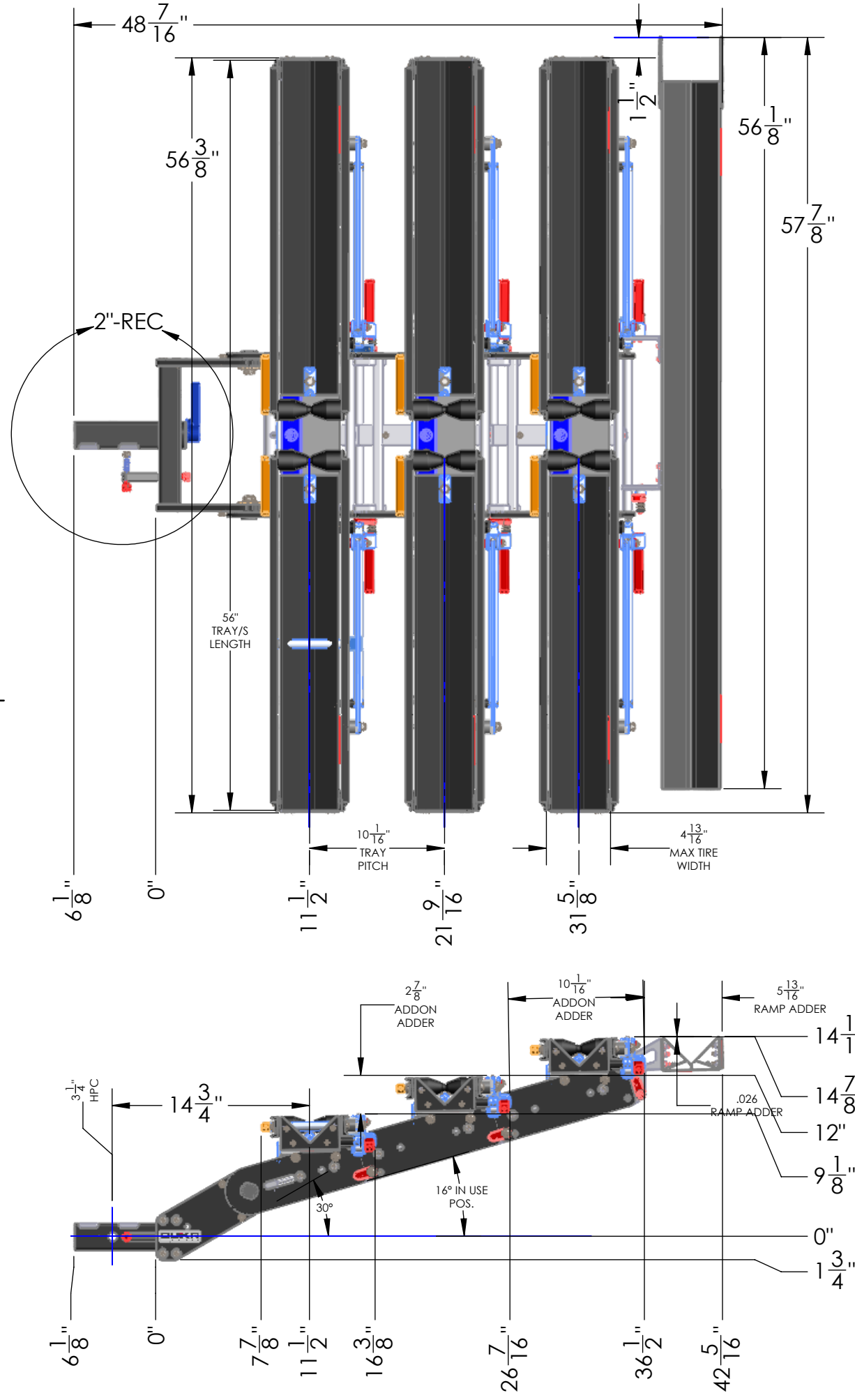


DETAIL 2"-REC SCALE 1 : 5

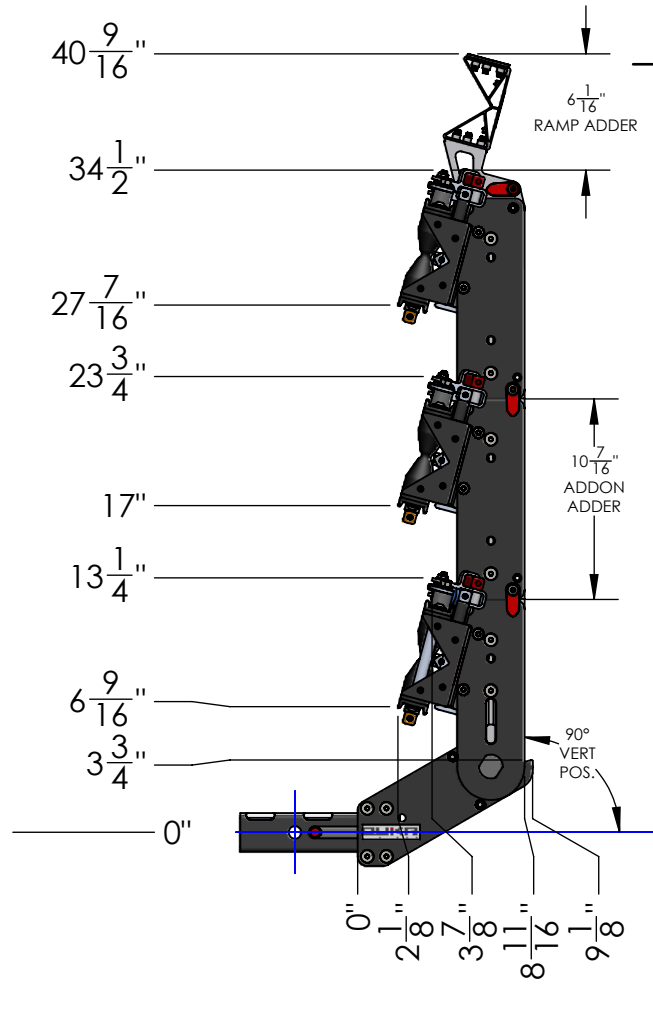
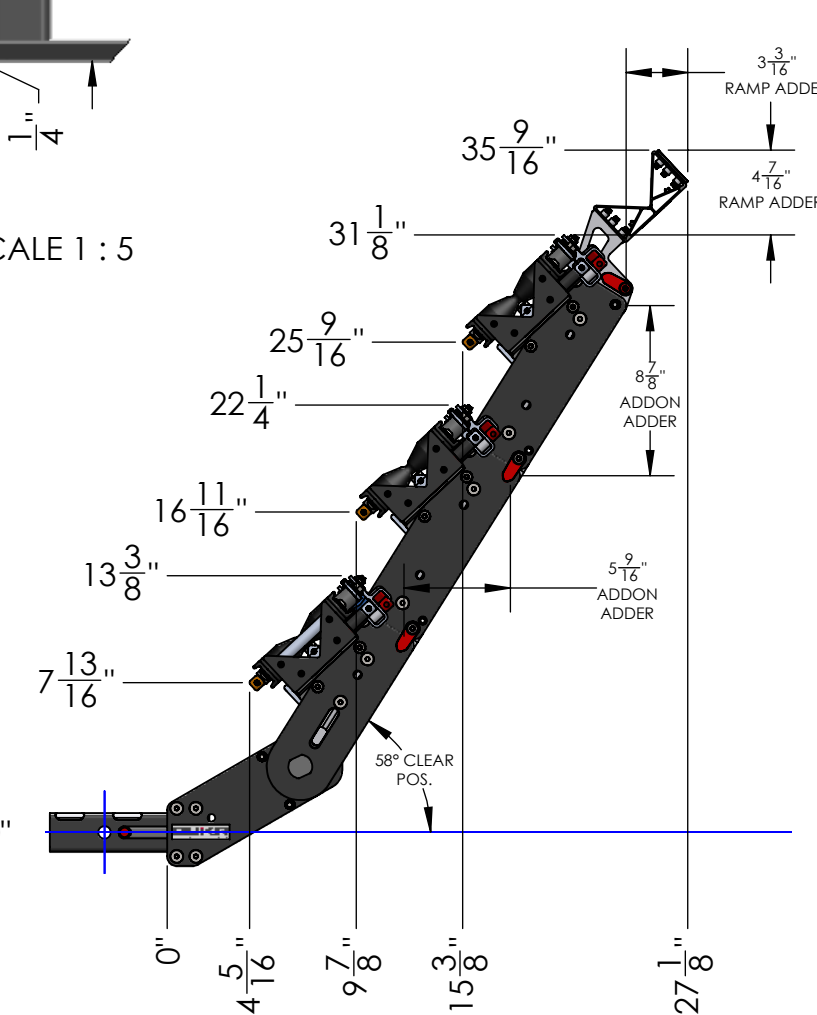
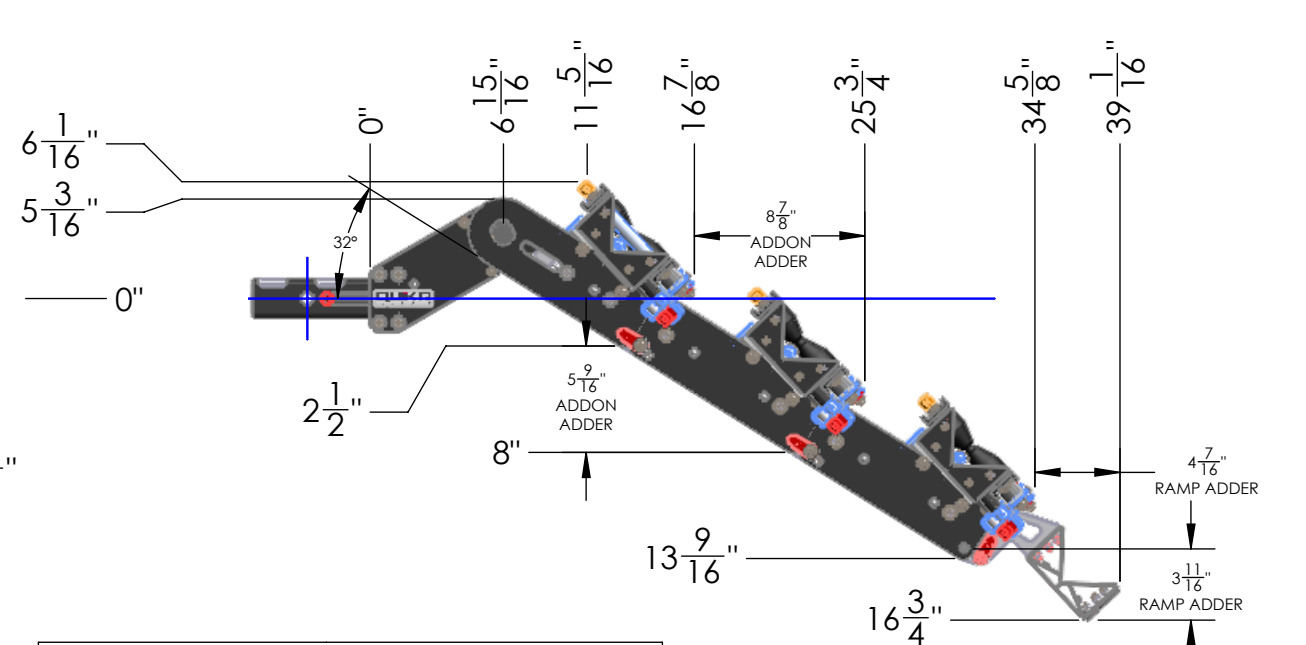
MACH2 BASE +ADD ON + RAMP

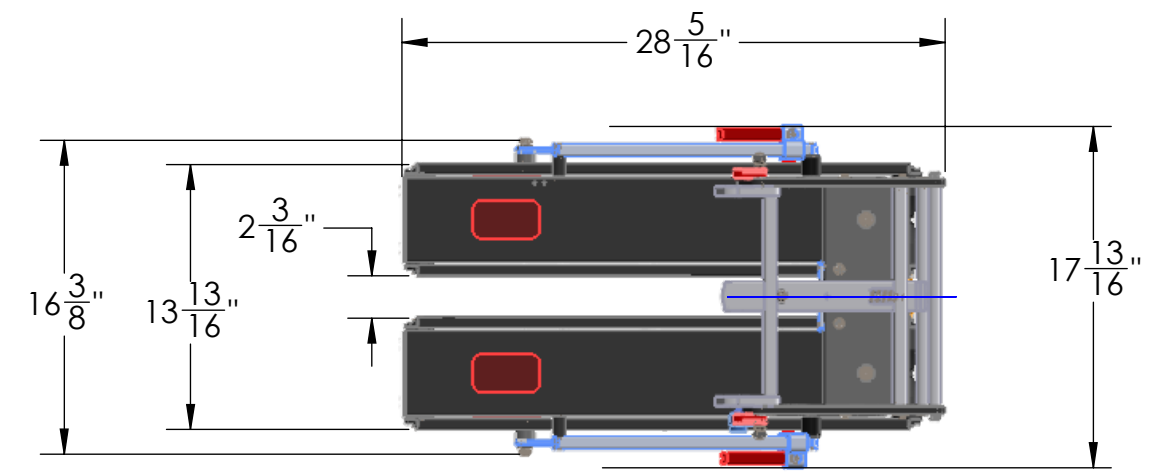
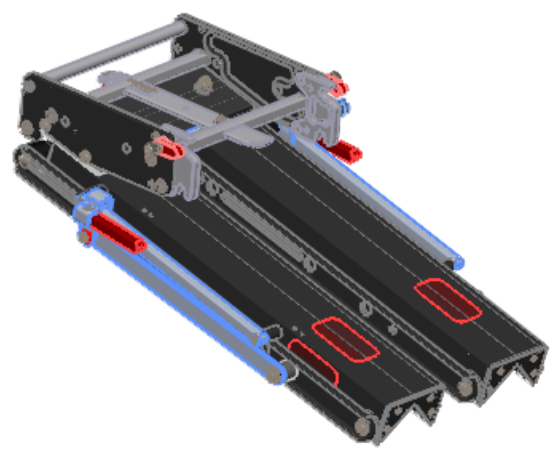
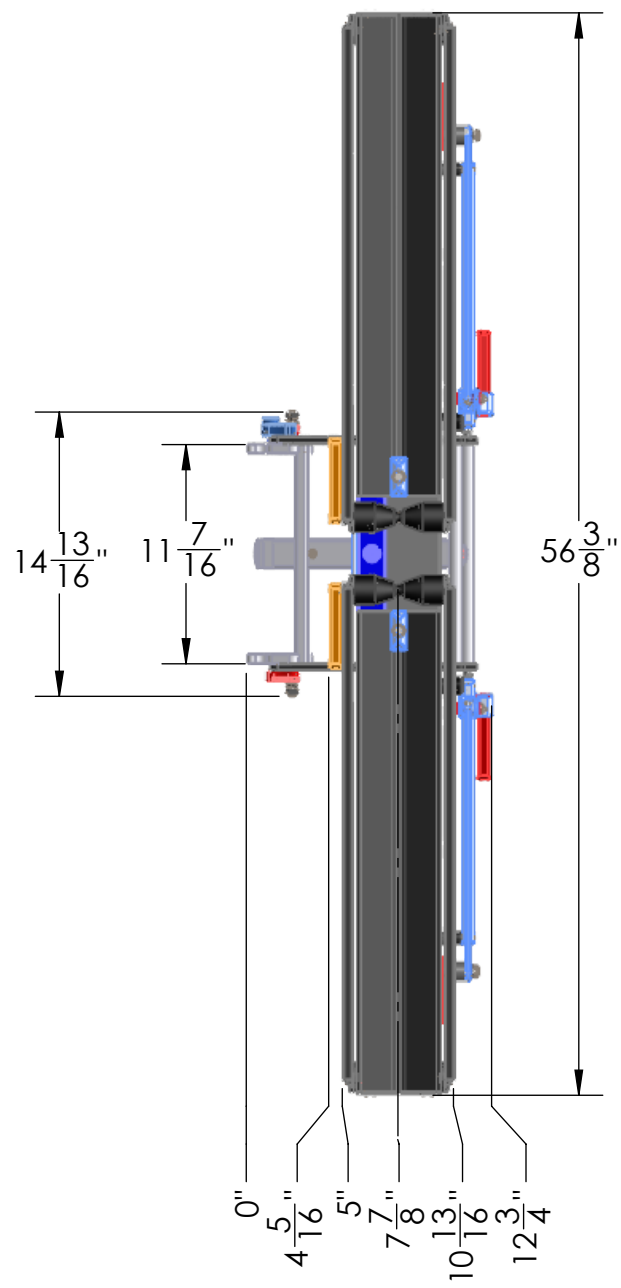
WEIGHT	63.3 LBS
--------	----------



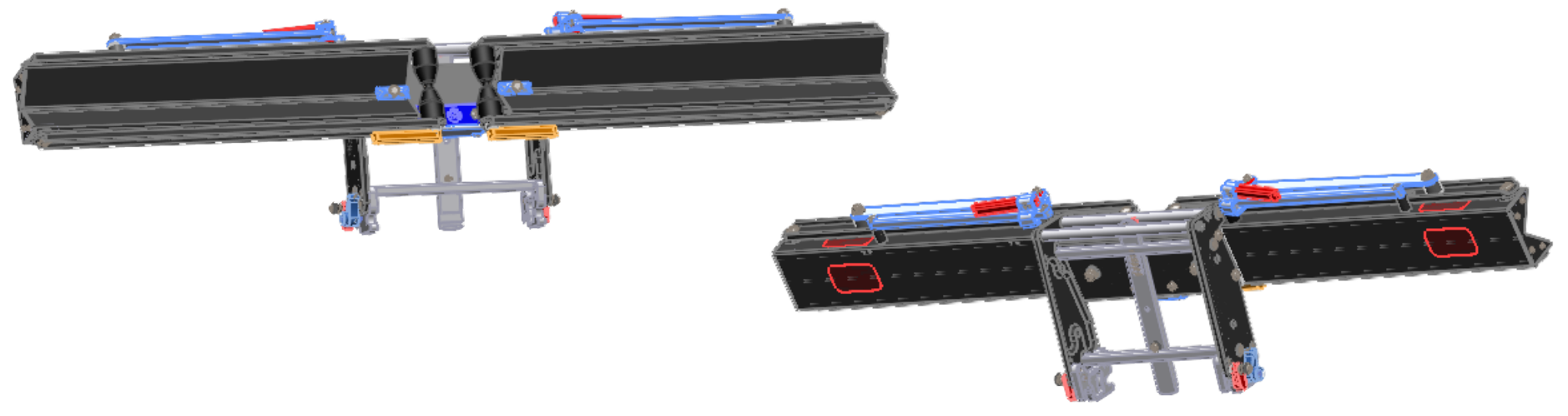
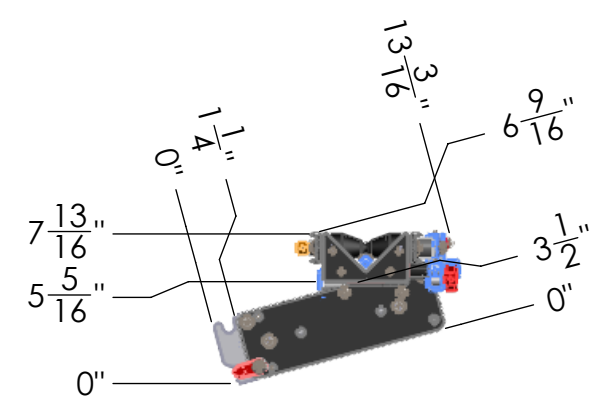
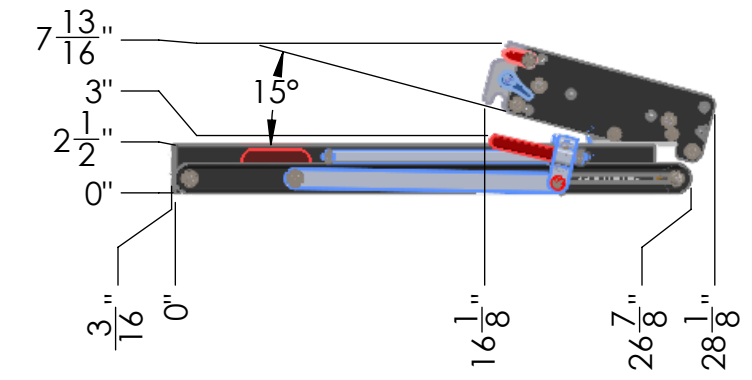


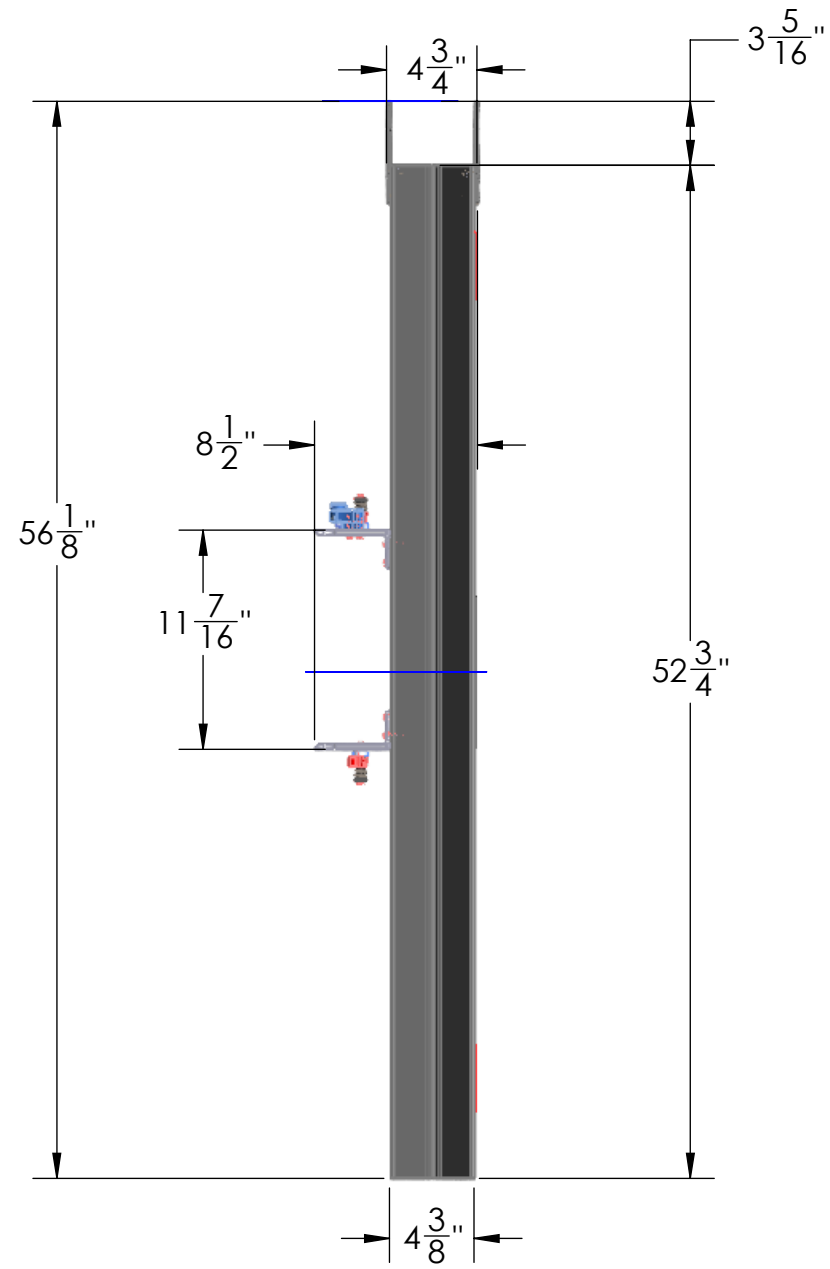
MACH2 BASE + 2 ADDONS + RAMP	
WEIGHT	86.1 LBS





MACH2 ADDON ASSEMBLY	
WEIGHT	22.8 LBS
BOX DIMENSIONS	31" X 19" X 9"
SHIPPING WEIGHT	25.44 LBS





MACH2 RAMP ASSEMBLY	
WEIGHT	9.72 LBS
BOX DIMENSIONS	54" x 9" x 7"
SHIPPING WEIGHT	13.0 LBS

